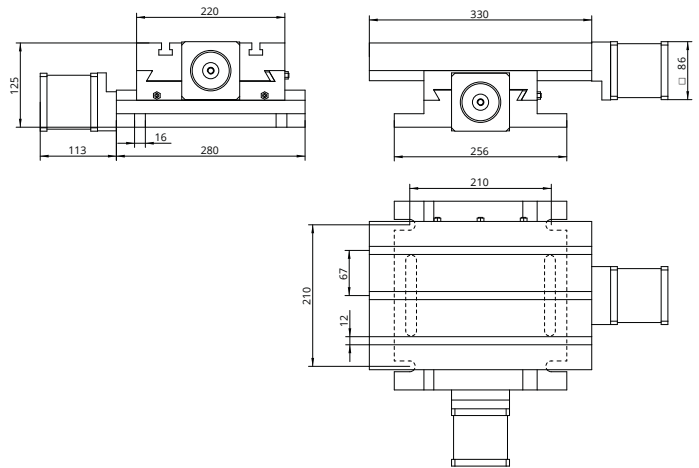
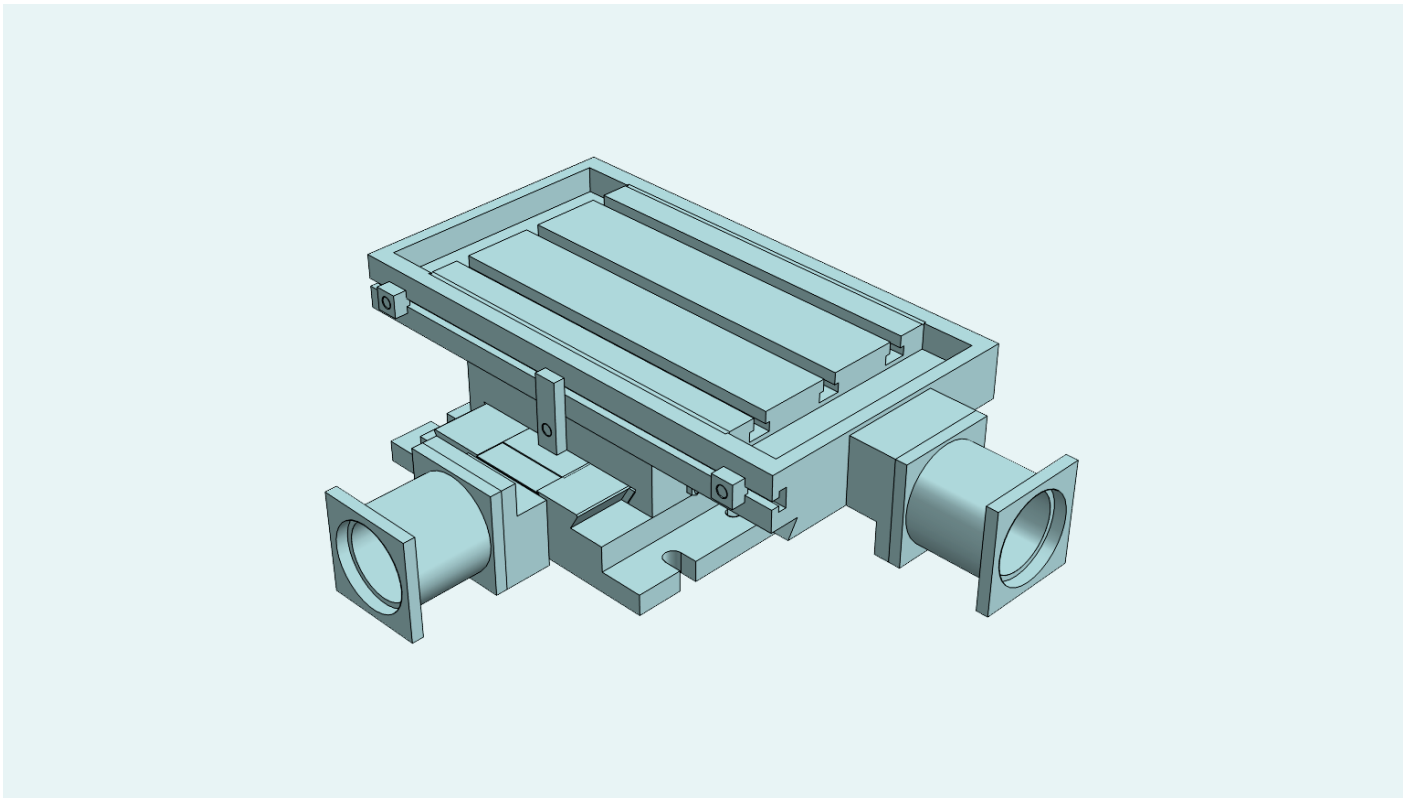


Double axis automatic unit. All elements in stabilized cast iron GG25. All surfaces with grinded finishment. Ballbearing spindles with double nut. Dovetailed guides with turcite. Any CNC available under request

Automatic XY crosstable travelling 190x130

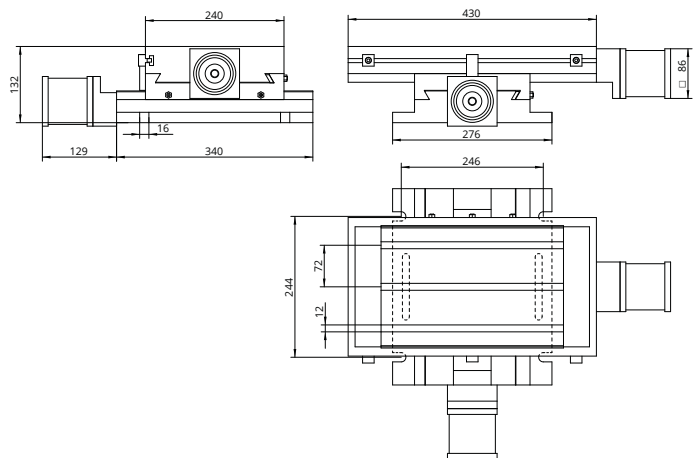


Technical Specifications	
X - Travel [mm]	190
Y - Travel [mm]	130
Tolerancia CNC [mm]	+/- 0,01
Max. weight [kg]	105
Max. work pres. [kg]	700
Weight [kg]	39

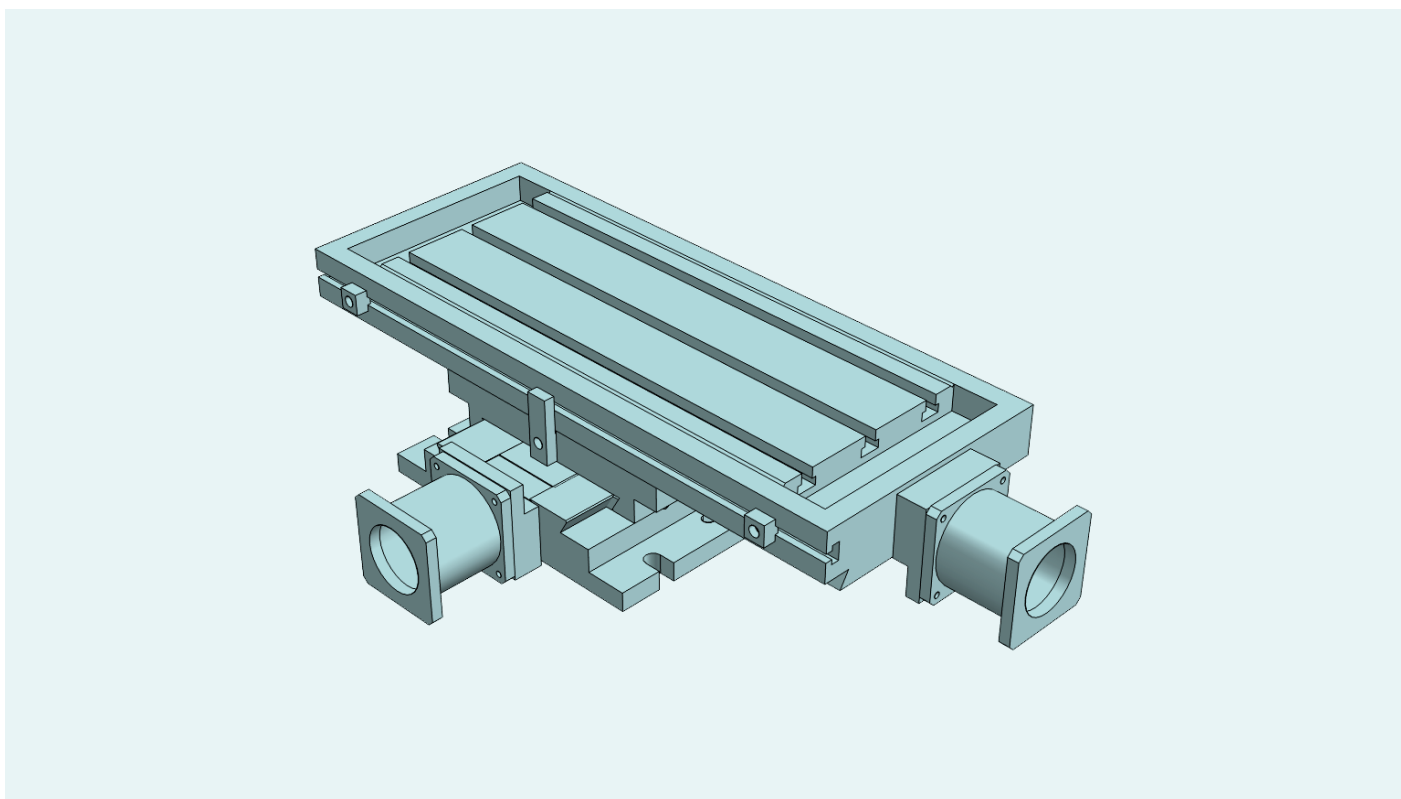


Fixed double axis automatic XY unit. All elements in stabilized cast iron GG25. All surfaces with grinded finishment. Ballbearing spindles with double nut. Dovetailed guides with turcrite. Any CNC available under request

Automatic XY crosstable travelling 240x160

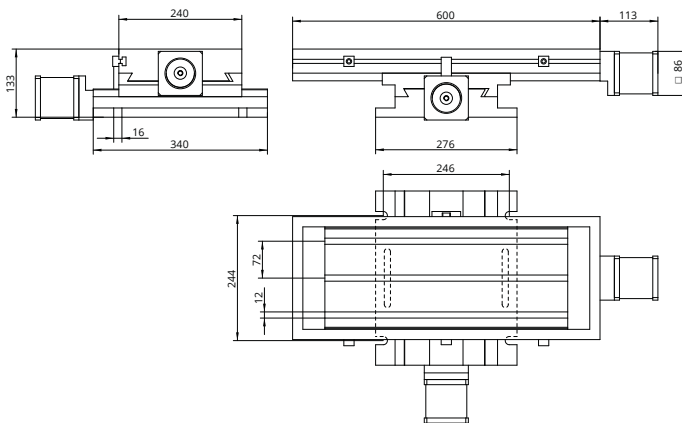


Technical Specifications	
X - Travel [mm]	240
Y - Travel [mm]	160
Tolerancia CNC [mm]	+/- 0,01
Max. weight [kg]	270
Max. work pres. [kg]	900
Weight [kg]	46

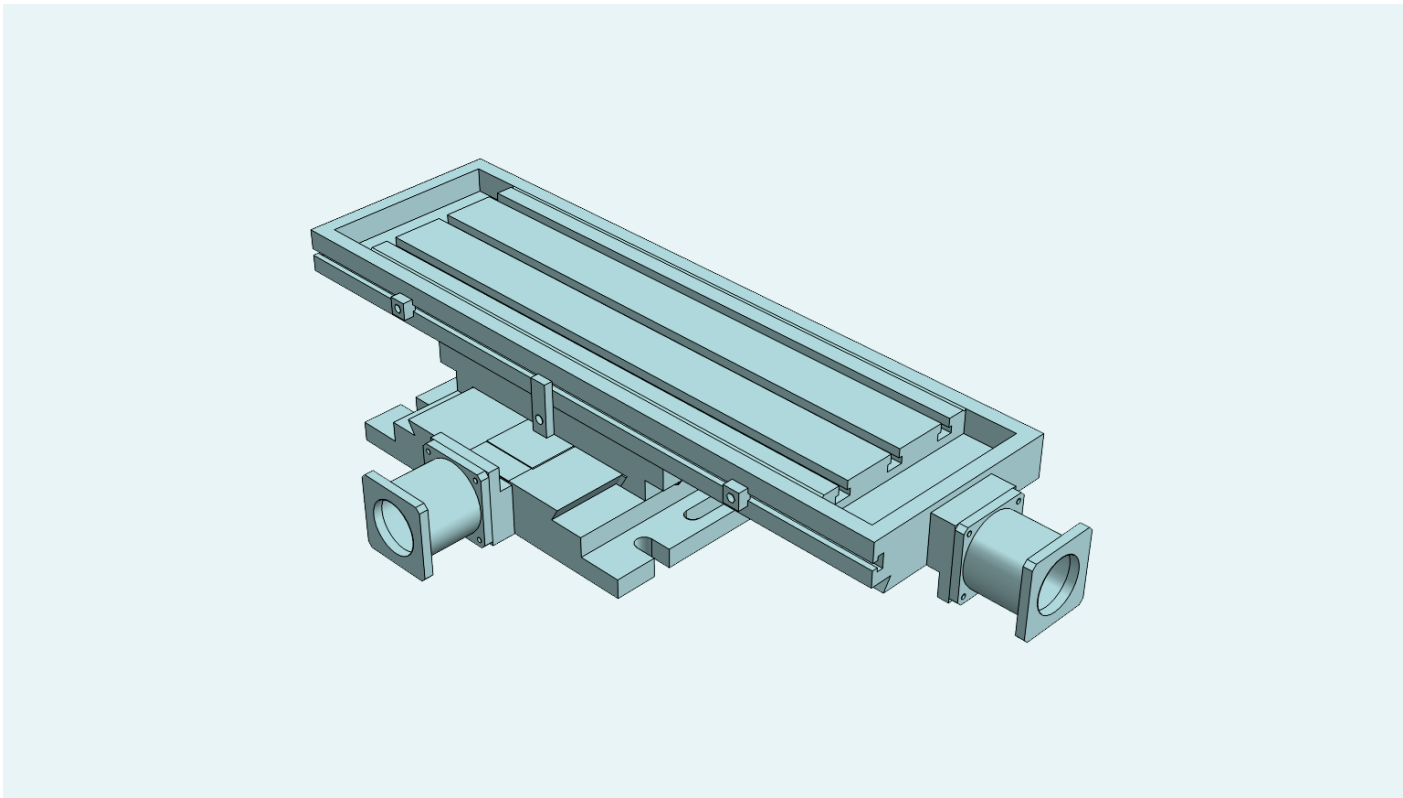


Fixed double axis automatic XY unit. All elements in stabilized cast iron GG25. All surfaces with grinded finishment. Ballbearing spindles with double nut. Dovetailed guides with turcite. Any CNC available under request

Automatic XY crosstable travelling 350x160

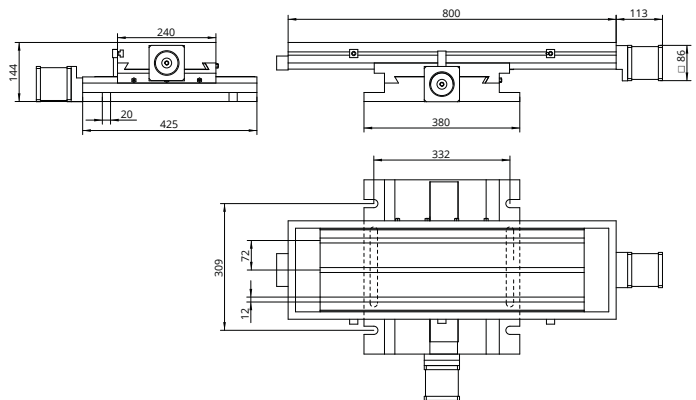


Technical Specifications	
X - Travel [mm]	350
Y - Travel [mm]	160
Tolerancia CNC [mm]	+/- 0,01
Max. weight [kg]	270
Max. work pres. [kg]	980
Weight [kg]	56



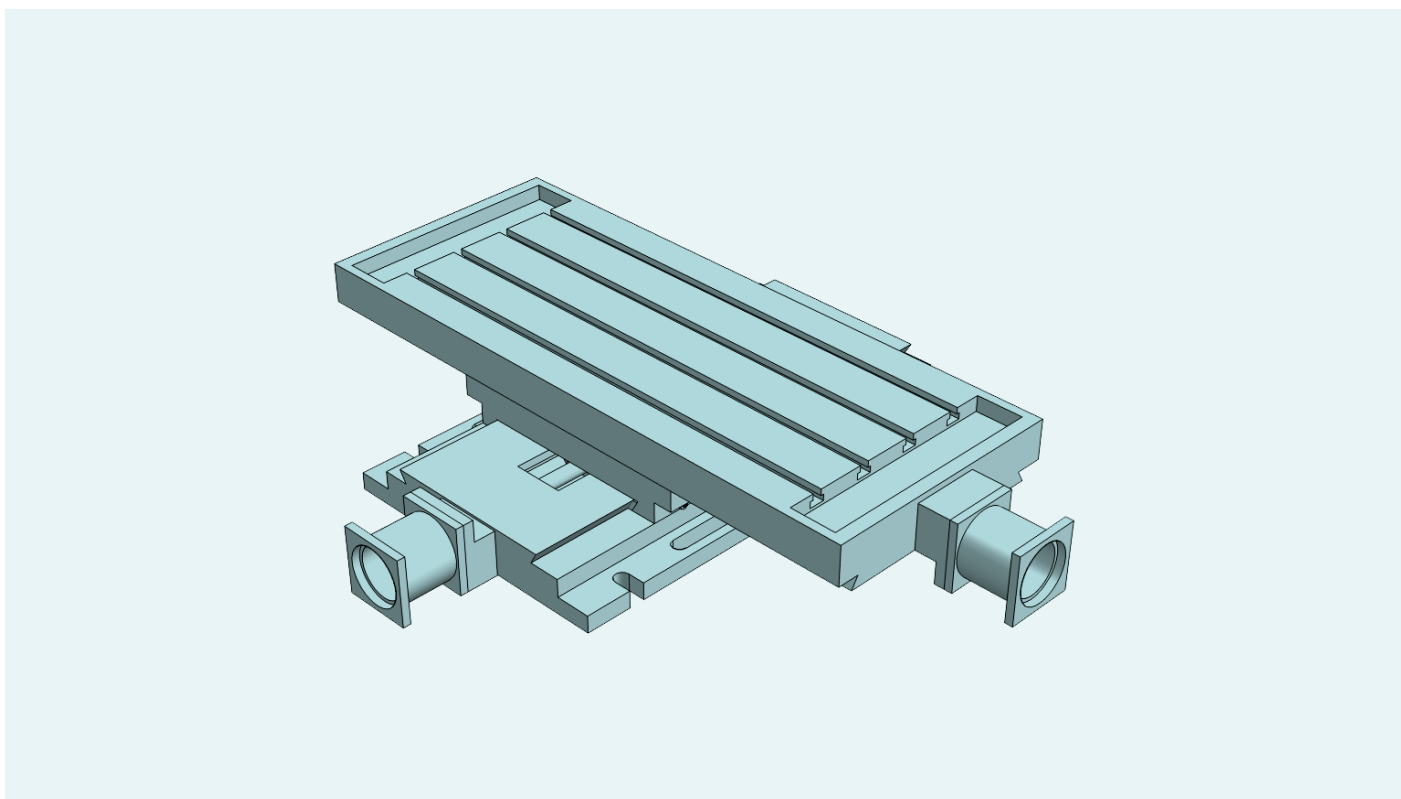
Fixed double axis automatic XY unit. All elements in stabilized cast iron GG25. All surfaces with grinded finishment. Ballbearing spindles with double nut. Dovetailed guides with turcite. Any CNC available under request

Automatic XY crosstable travelling 470x240



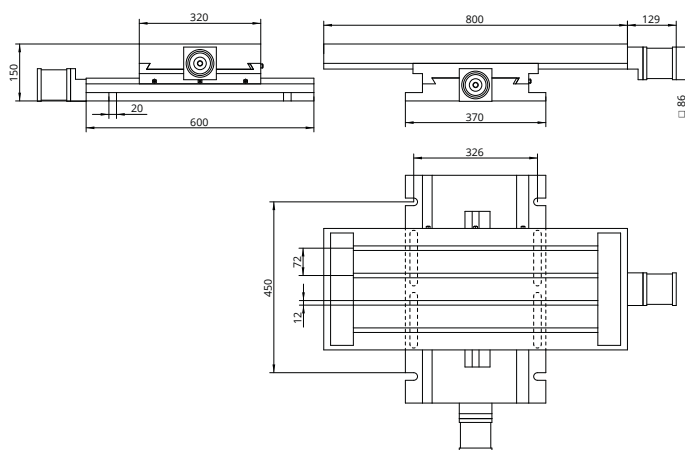
Technical Specifications

X - Travel [mm]	470
Y - Travel [mm]	240
Tolerancia CNC [mm]	+/- 0,01
Max. weight [kg]	290
Max. work pres. [kg]	1200
Weight [kg]	86

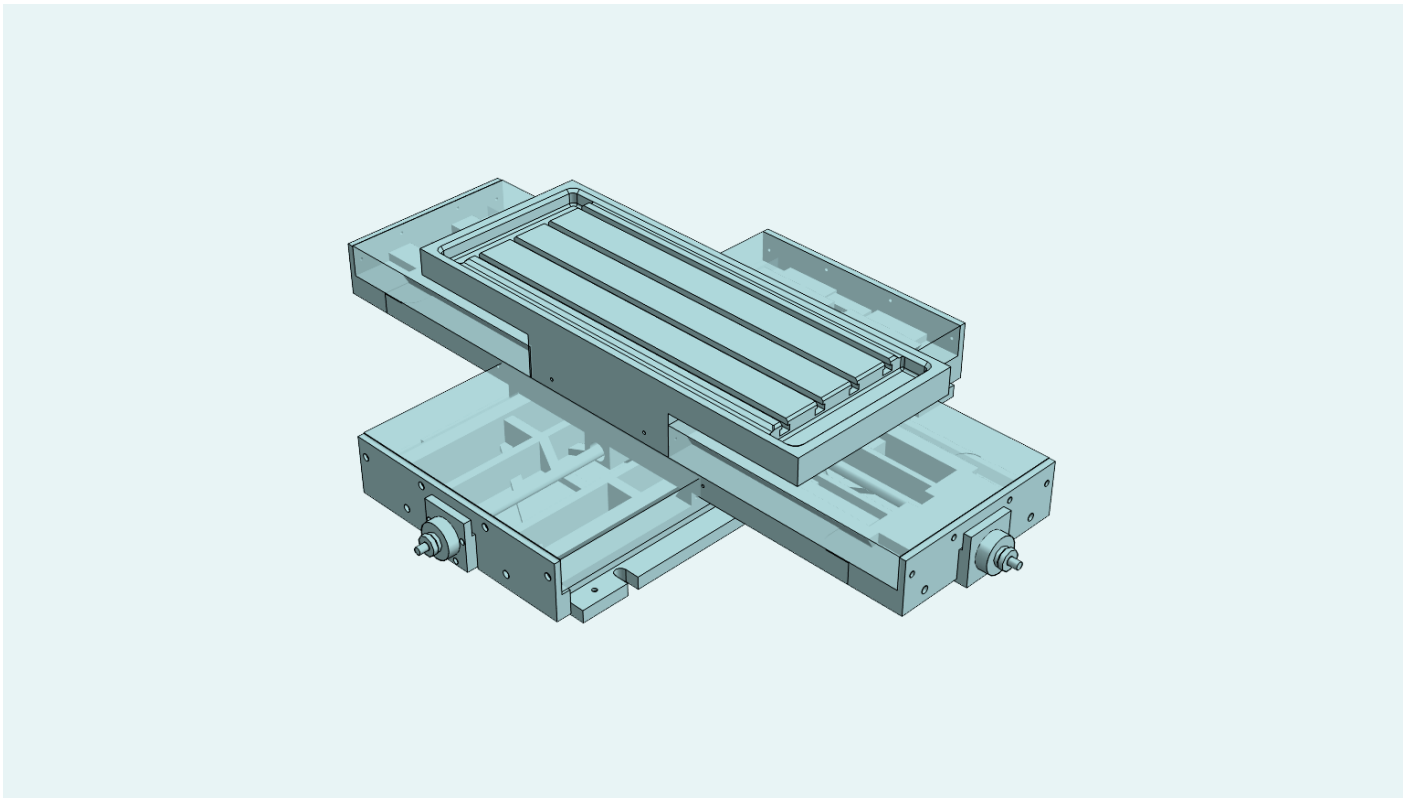


Fixed double axis automatic XY unit. All elements in stabilized cast iron GG25. All surfaces with grinded finishment. Ballbearing spindles with double nut. Dovetailed guides with turcrite. Any CNC available under request

Automatic XY crosstable travelling 470x300

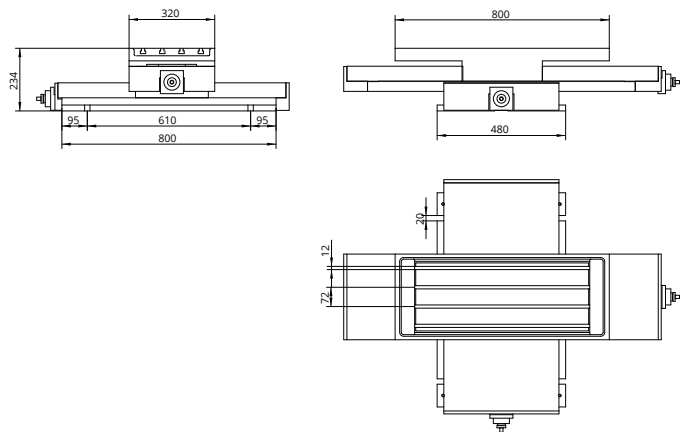


Technical Specifications	
X - Travel [mm]	470
Y - Travel [mm]	300
Tolerancia CNC [mm]	+/- 0,01
Max. weight [kg]	320
Max. work pres. [kg]	1200
Weight [kg]	122



Fixed double axis automatic XY unit. All elements in stabilized cast iron GG25. All surfaces with grinded finishment. Ballbearing spindles with double nut. Dovetailed guides with turcite. Any CNC available under request

Automatic XY crosstable travelling 700x400



Technical Specifications

X - Travel [mm]	700
Y - Travel [mm]	400
Tolerancia CNC [mm]	+/- 0,01
Max. weight [kg]	900
Max. work pres. [kg]	1350
Weight [kg]	290