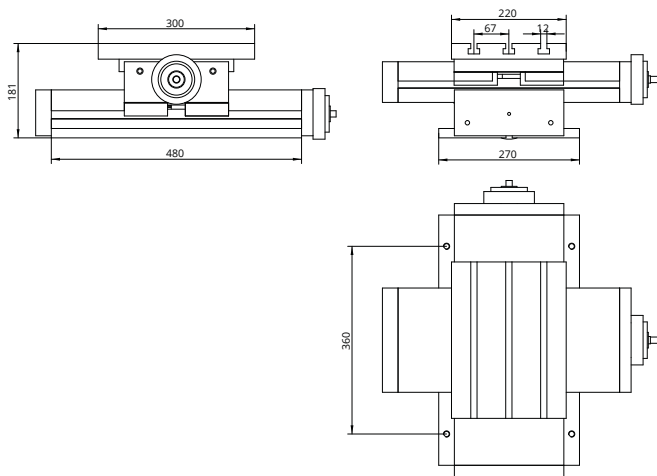
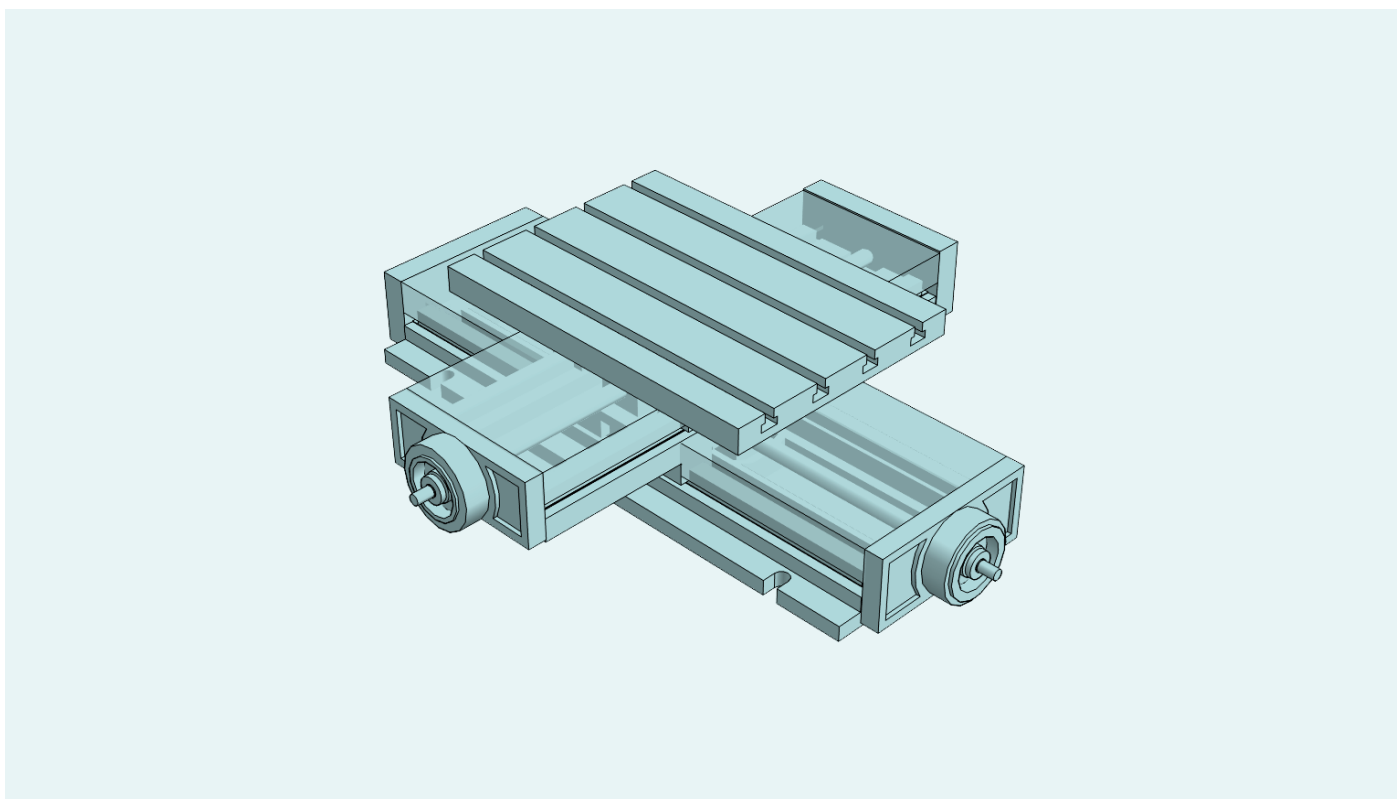


XY slide unit prepared for high movement speeds and light loads. Equipped with high-accuracy linear guides and interchangeable working platform

Automatic "Light" crosstable travelling 250x175

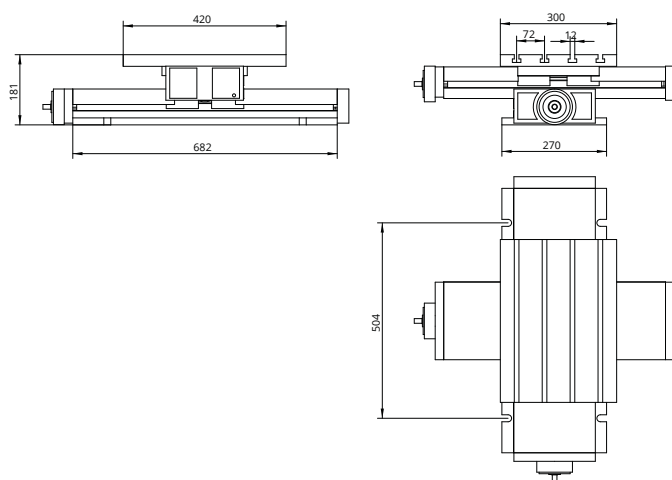


Technical Specifications	
X - Travel [mm]	250
Y - Travel [mm]	175
Tolerancia CNC [mm]	+/- 0,01
Max. weight [kg]	300
Max. work pres. [kg]	1000
Weight [kg]	90

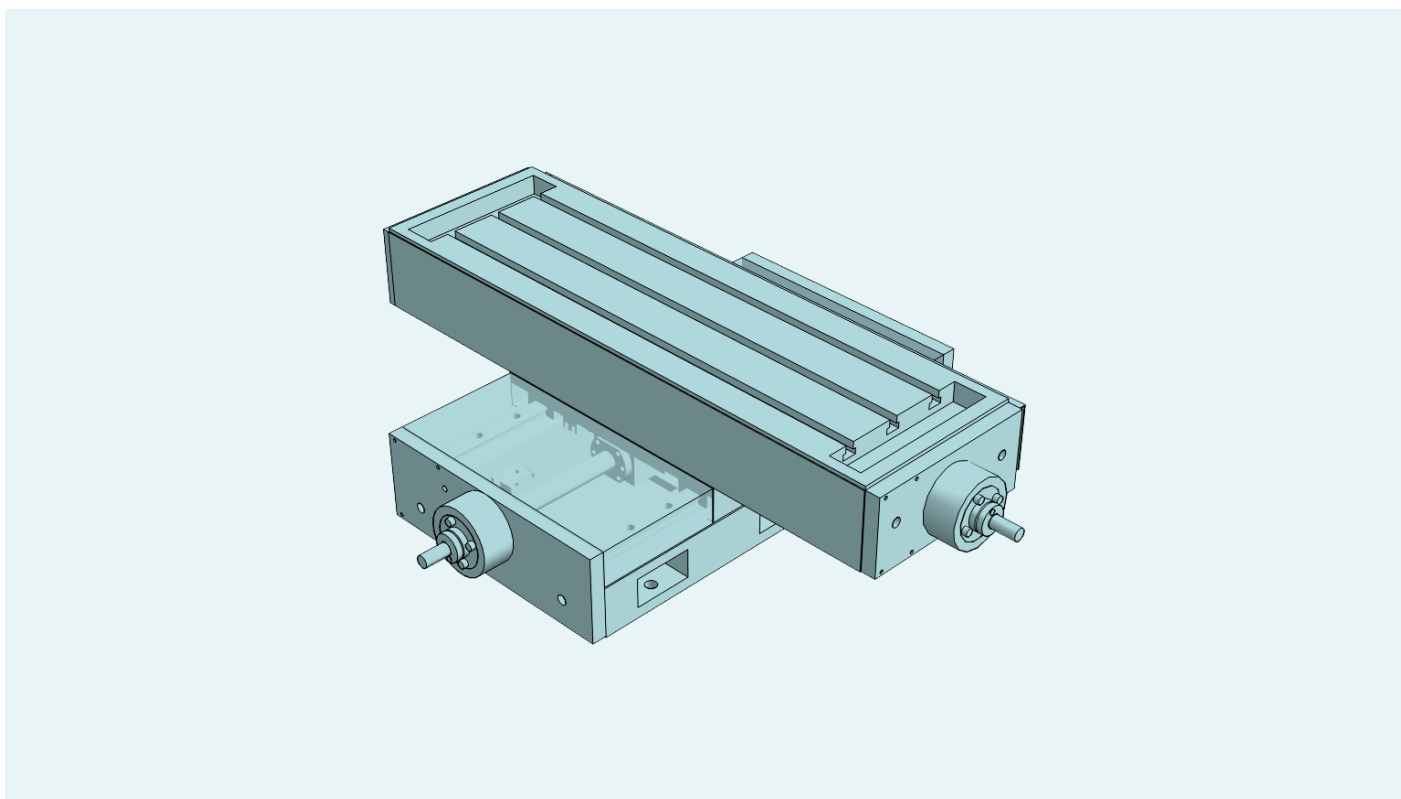


XY slide unit prepared for high movement speeds and light loads. Equipped with high-accuracy linear guides and interchangeable working platform

Automatic "Light" crosstable travelling 442x250

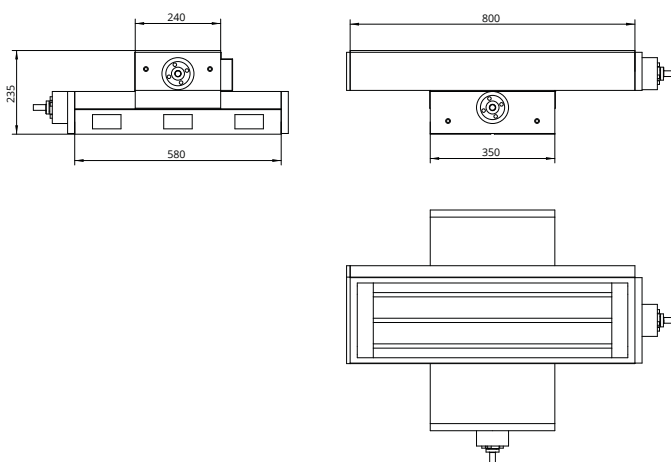


Technical Specifications	
X - Travel [mm]	442
Y - Travel [mm]	250
Tolerancia CNC [mm]	+/- 0,01
Max. weight [kg]	300
Max. work pres. [kg]	1000
Weight [kg]	103



XY slide unit prepared for high movement speeds and light loads. Equipped with high-accuracy linear guides and interchangeable working platform

Automatic "Light" crosstable travelling 450x340



Technical Specifications	
X - Travel [mm]	450
Y - Travel [mm]	340
Tolerancia CNC [mm]	+/- 0,01
Max. weight [kg]	550
Max. work pres. [kg]	1500
Weight [kg]	180