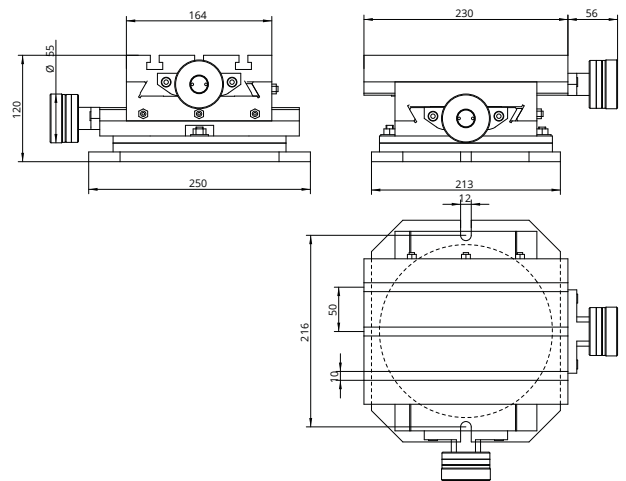
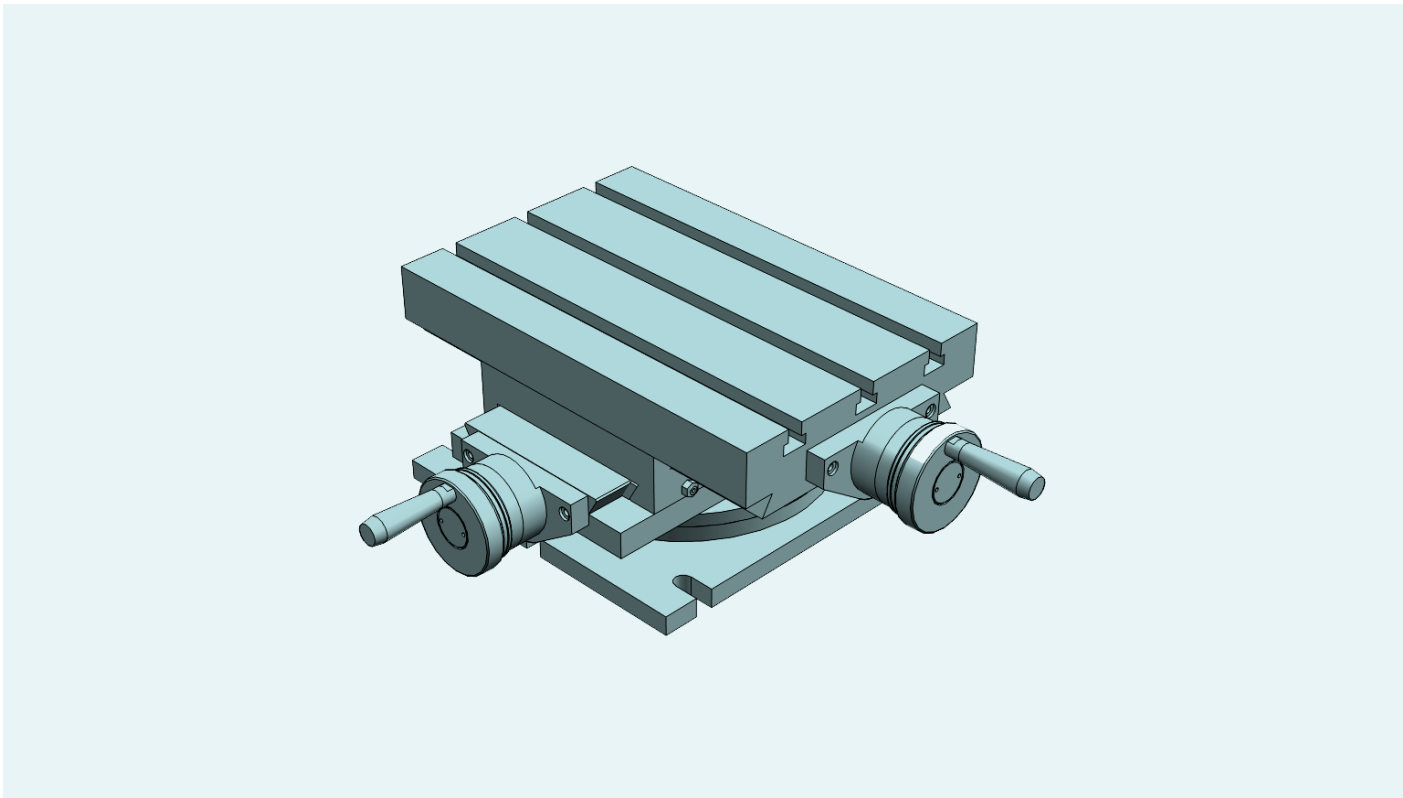


Double axis crosstable with rotary basis: the swivel support base comes with 180° in order to carry out angled works. All elements in stabilized cast iron GG25. All surfaces with grinded finishment. Millimetered rules in XY. Vernier/nonuis matt chrome. Dial, with zero setting. Spindle with triangular thread. Adjustable spindle nut. Standard lock in XY (M6 screw to block the dovetailed guides in working position)

**Rotary crosstable XY travelling 120x110**

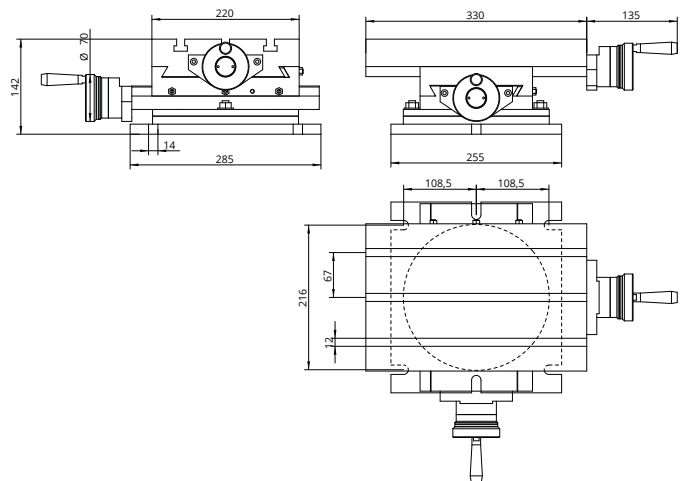


Technical Specifications	
X - Travel [mm]	120
Y - Travel [mm]	110
Resolution [mm]	0,05
Max. weight [kg]	55
Max. work pres. [kg]	500
Weight [kg]	22

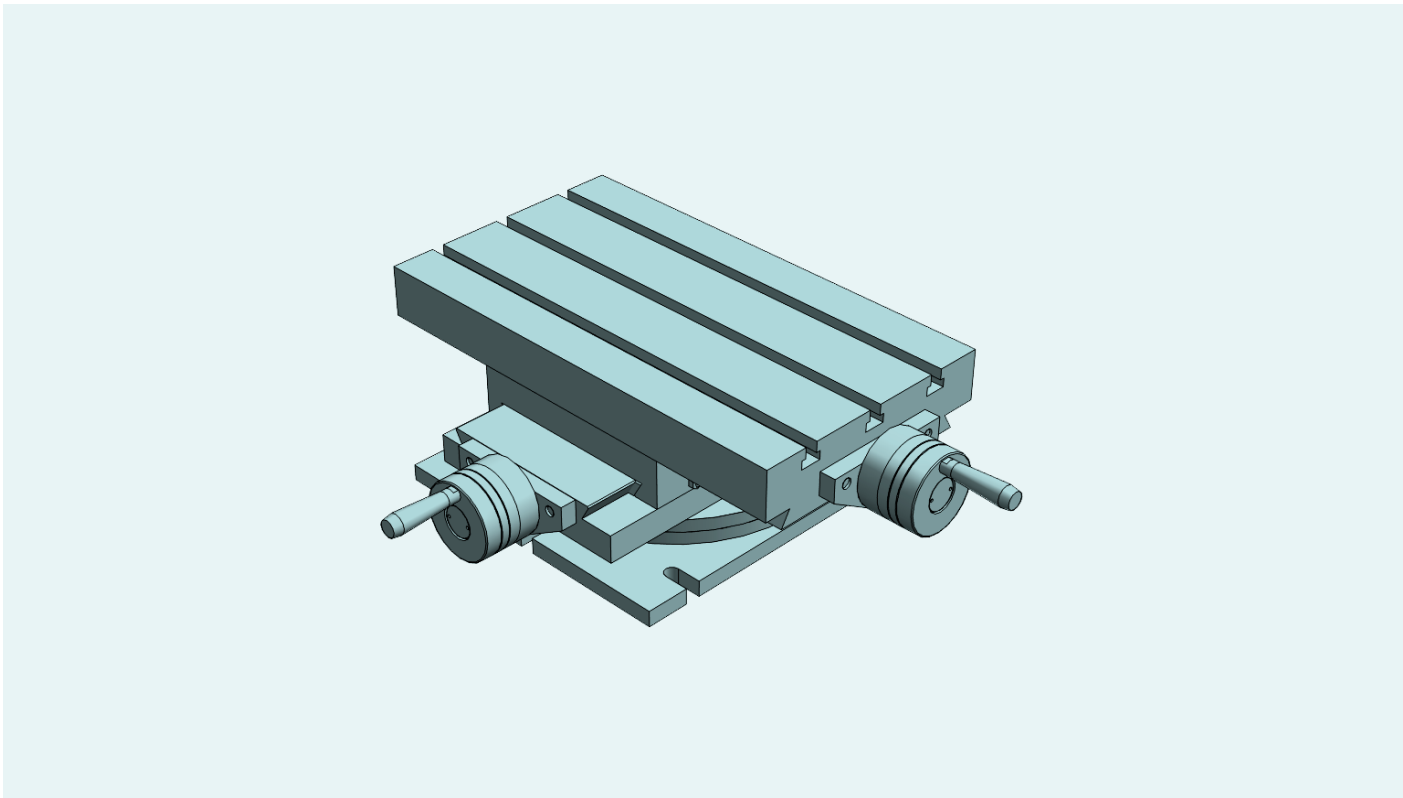


Double axis crosstable with rotary basis: the swivel support base comes with 180° in order to carry out angled works. All elements in stabilized cast iron GG25. All surfaces with grinded finishment. Millimetered rules in XY. Vernier/nonuis matt chrome. Dial, with zero setting. Spindle with trapezoidal thread. Adjustable spindle nut. Standard lock in XY (M6 screw to block the dovetailed guides in working position)

**Rotary crosstable XY travelling 190x130**

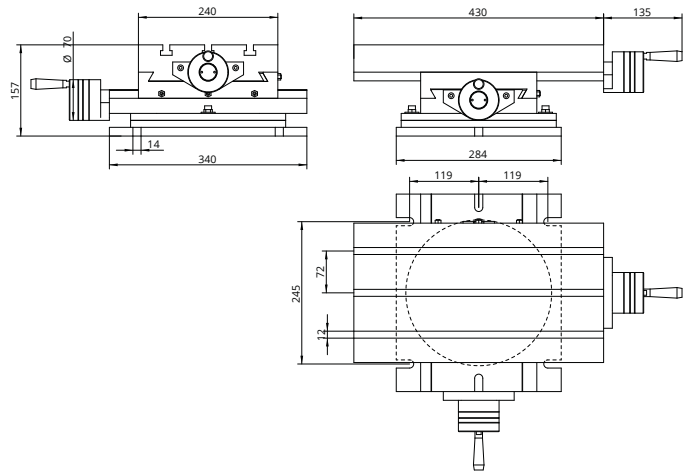


Technical Specifications	
X - Travel [mm]	190
Y - Travel [mm]	130
Resolution [mm]	0,05
Max. weight [kg]	105
Max. work pres. [kg]	700
Weight [kg]	38

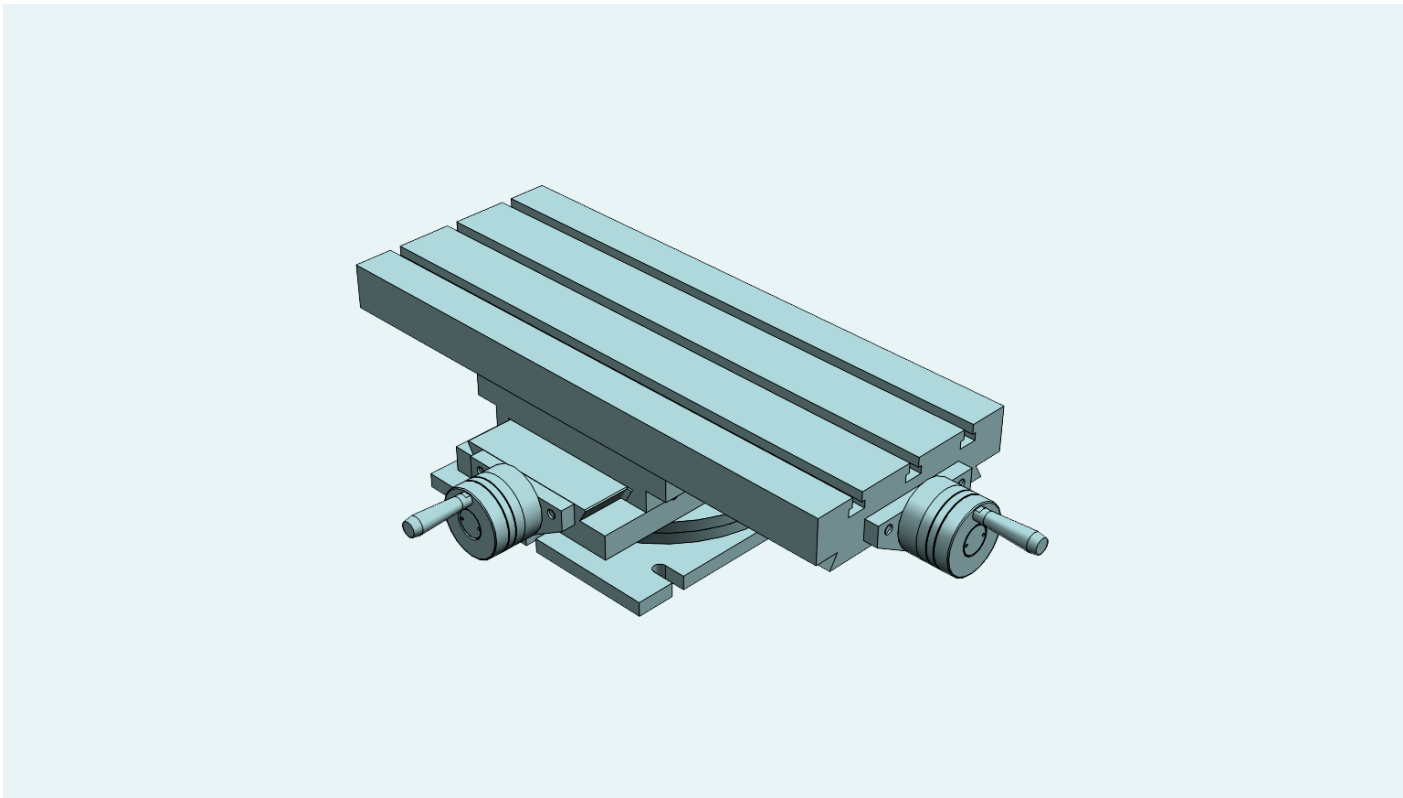


Double axis crosstable with rotary basis: the swivel support base comes with 180° in order to carry out angled works. All elements in stabilized cast iron GG25. All surfaces with grinded finishment. Millimetered rules in XY. Vernier/nonuis matt chrome. Dial, with zero setting. Spindle with trapezoidal thread. Adjustable spindle nut. Standard lock in XY (M6 screw to block the dovetailed guides in working position)

**Rotary crosstable XY travelling 240x160**

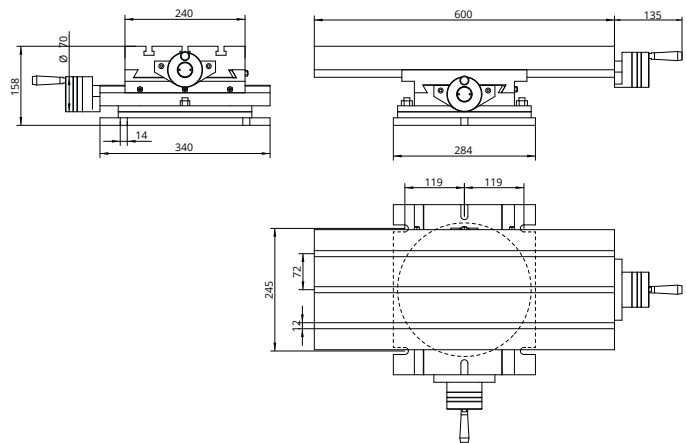


Technical Specifications	
X - Travel [mm]	240
Y - Travel [mm]	160
Resolution [mm]	0,05
Max. weight [kg]	270
Max. work pres. [kg]	900
Weight [kg]	55

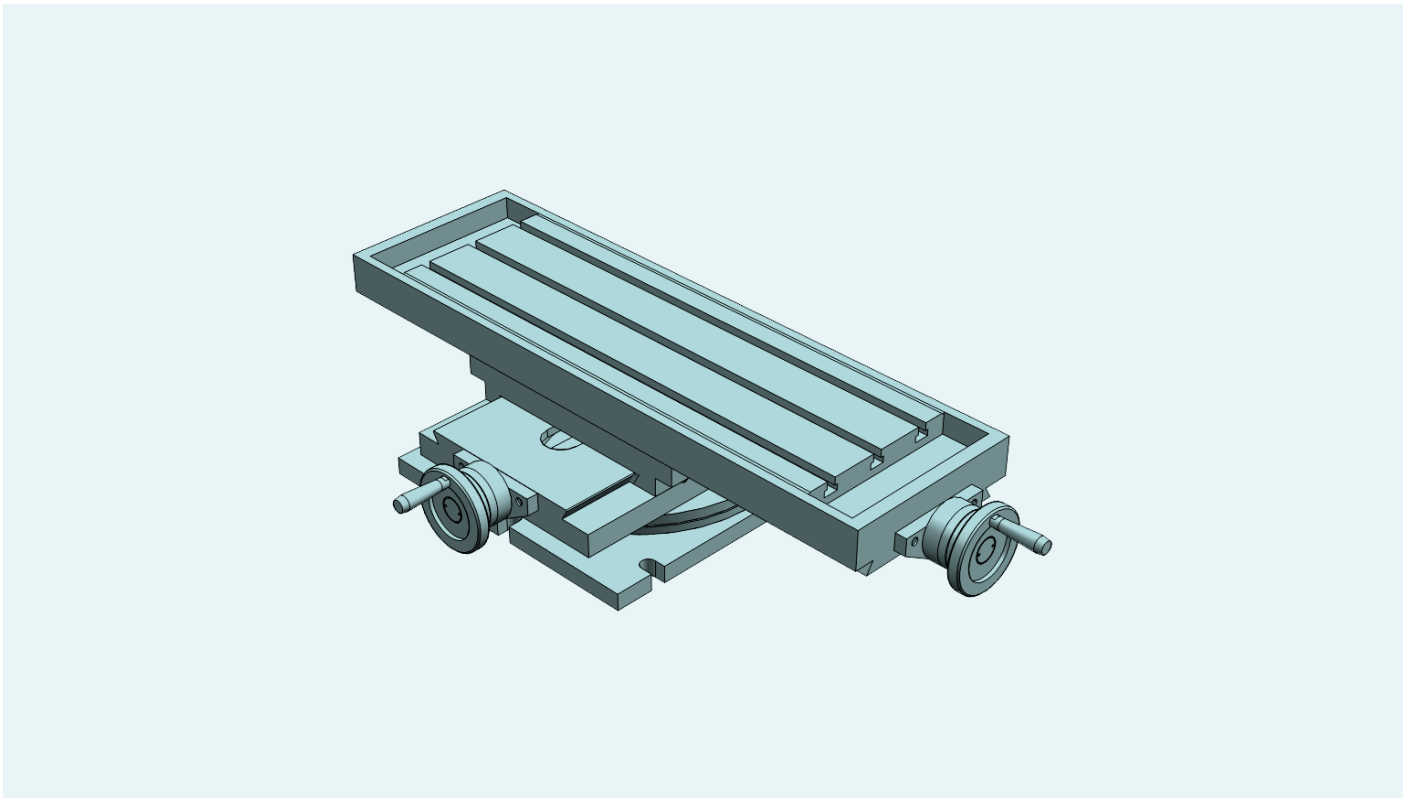


Double axis crosstable with rotary basis: the swivel support base comes with 180° in order to carry out angled works. All elements in stabilized cast iron GG25. All surfaces with grinded finishment. Millimetered rules in XY. Vernier/nonuis matt chrome. Dial, with zero setting. Spindle with trapezoidal thread. Adjustable spindle nut. Standard lock in XY (M6 screw to block the dovetailed guides in working position)

**Rotary crosstable XY travelling 350x160**

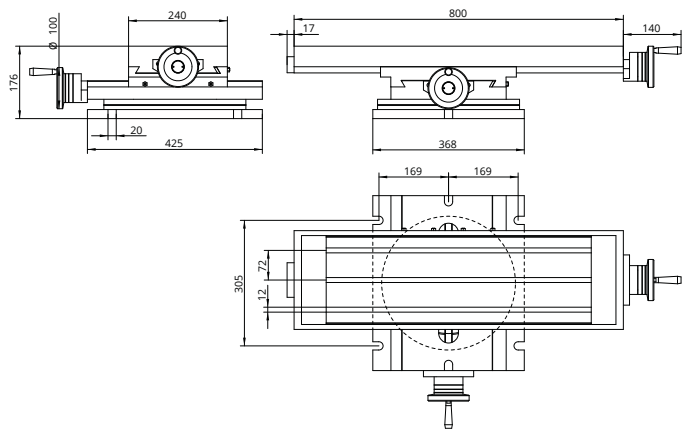


Technical Specifications	
X - Travel [mm]	350
Y - Travel [mm]	160
Resolution [mm]	0,05
Max. weight [kg]	270
Max. work pres. [kg]	980
Weight [kg]	65

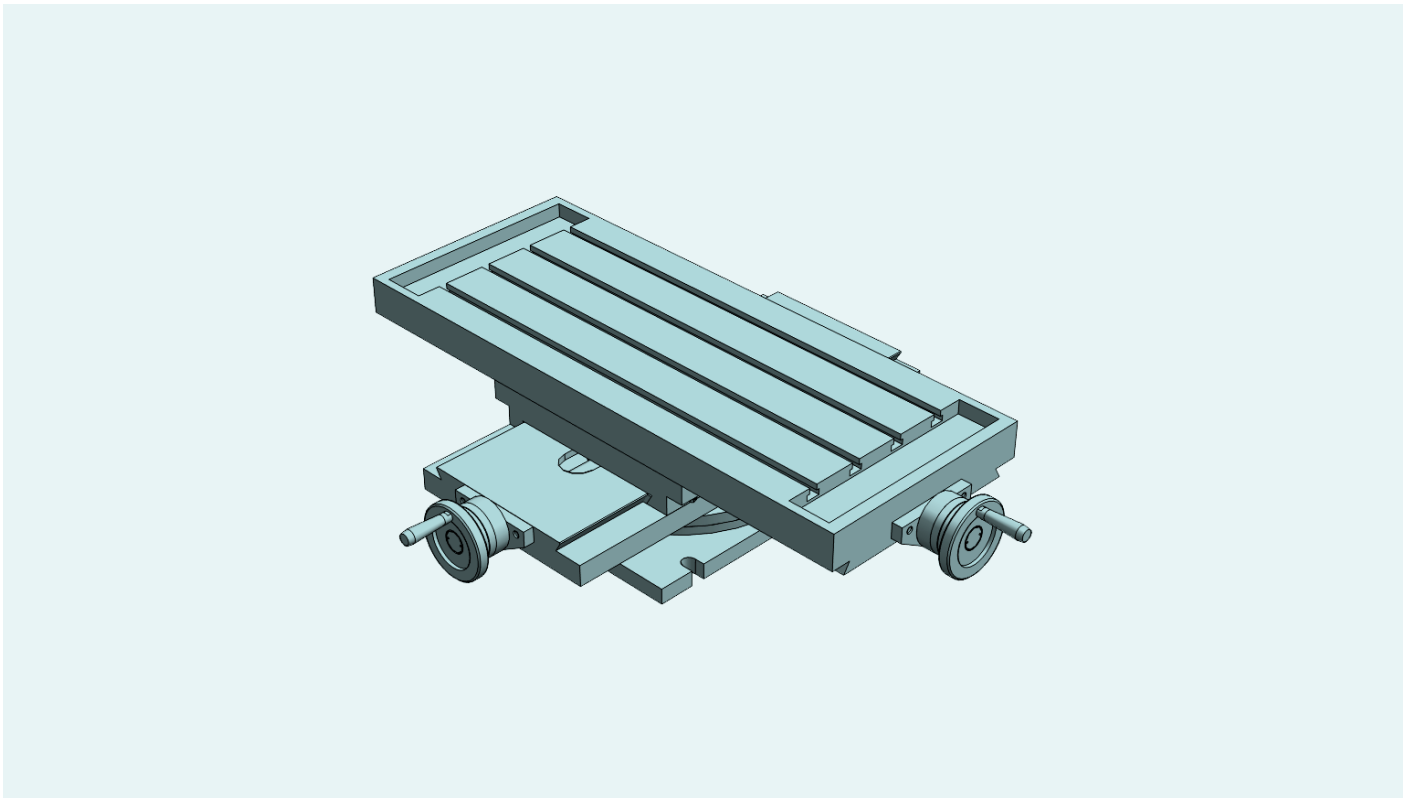


Double axis crosstable with rotary basis: the swivel support base comes with 180° in order to carry out angled works. All elements in stabilized cast iron GG25. All surfaces with grinded finishment. Millimetered rules in XY. Vernier/nonuis matt chrome. Dial, with zero setting. Spindle with trapezoidal thread. Adjustable spindle nut. Standard lock in XY (M6 screw to block the dovetailed guides in working position)

**Rotary crosstable XY travelling 470x240**

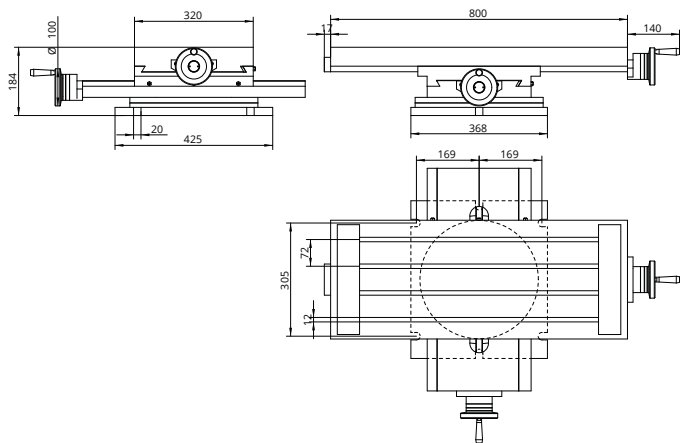


Technical Specifications	
X - Travel [mm]	470
Y - Travel [mm]	240
Resolution [mm]	0,05
Max. weight [kg]	290
Max. work pres. [kg]	1200
Weight [kg]	113



Double axis crosstable with rotary basis: the swivel support base comes with 180° in order to carry out angled works. All elements in stabilized cast iron GG25. All surfaces with grinded finishment. Millimetered rules in XY. Vernier/nonuis matt chrome. Dial, with zero setting. Spindle with trapezoidal thread. Adjustable spindle nut. Standard lock in XY (M6 screw to block the dovetailed guides in working position)

**Rotary crosstable XY travelling 470x300**



Technical Specifications	
X - Travel [mm]	470
Y - Travel [mm]	300
Resolution [mm]	0,05
Max. weight [kg]	290
Max. work pres. [kg]	1200
Weight [kg]	126