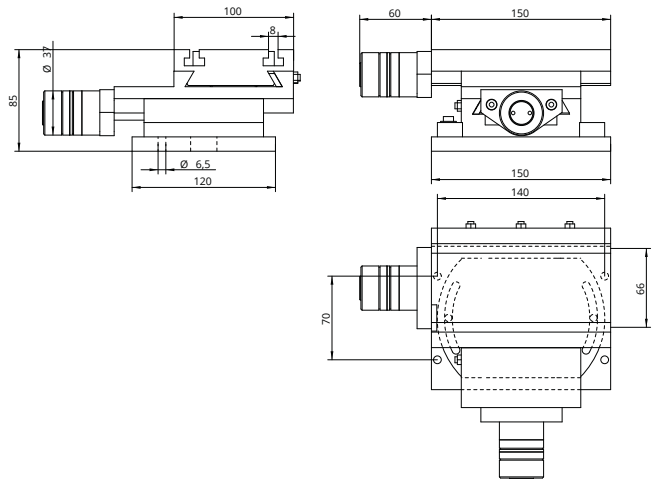
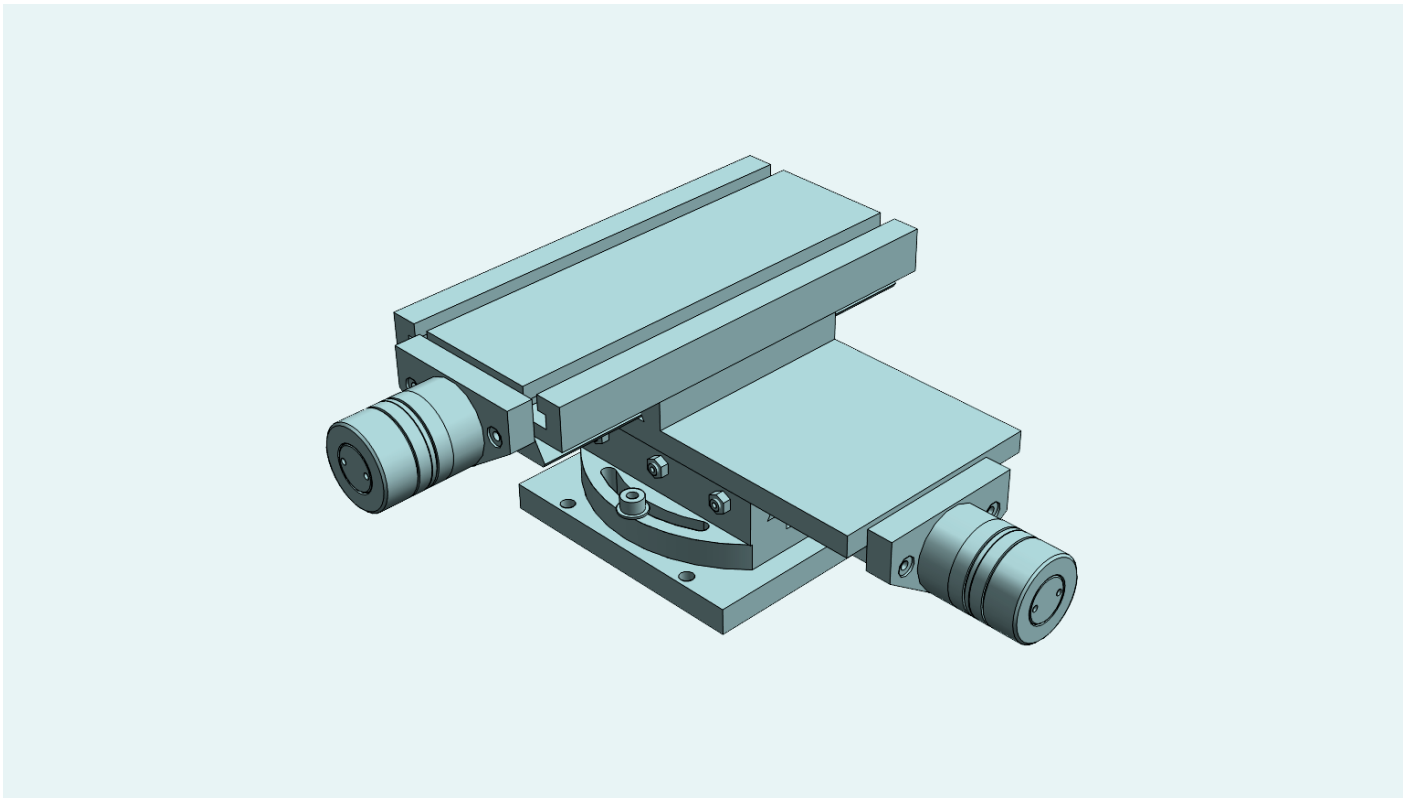


MINI double axis crosstable with rotary basis (60°): for applications in small mechanical operations, testing and metrology laboratories. Compact design and highly sensitive movements. All elements in stabilized cast iron GG25. All surfaces with grinded finishment. Millimetered rules in XY. Vernier/nonuis matt chrome. Dial, with zero setting. Spindle with triangular thread. Adjustable spindle nut. Standard lock in XY (M5 screw to block the dovetailed guides in working position)

“MINI” XY Rotary crosstable travelling 50x50

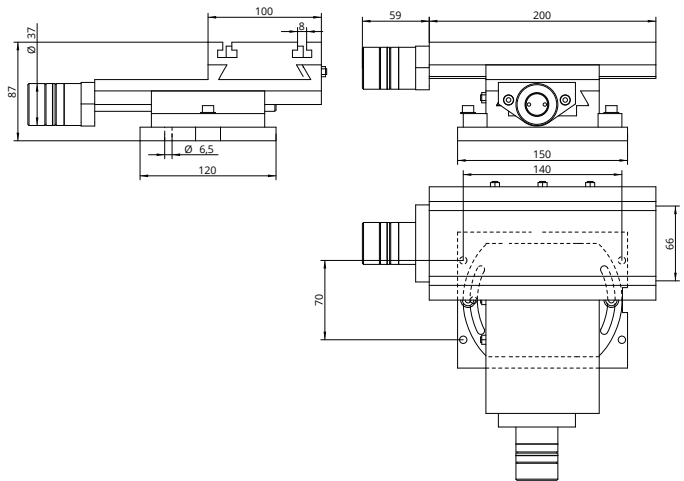


Technical Specifications	
X - Travel [mm]	50
Y - Travel [mm]	50
Resolution [mm]	0,025
Max. weight [kg]	45
Max. work pres. [kg]	255
Weight [kg]	7



MINI double axis crosstable with rotary basis (60°): for applications in small mechanical operations, testing and metrology laboratories. Compact design and highly sensitive movements. All elements in stabilized cast iron GG25. All surfaces with grinded finishment. Millimetered rules in XY. Vernier/nonuis matt chrome. Dial, with zero setting. Spindle with triangular thread. Adjustable spindle nut. Standard lock in XY (M5 screw to block the dovetailed guides in working position)

“MINI” XY Rotary crosstable travelling 100x100



Technical Specifications	
X - Travel [mm]	100
Y - Travel [mm]	100
Resolution [mm]	0,025
Max. weight [kg]	45
Max. work pres. [kg]	255
Weight [kg]	7,5