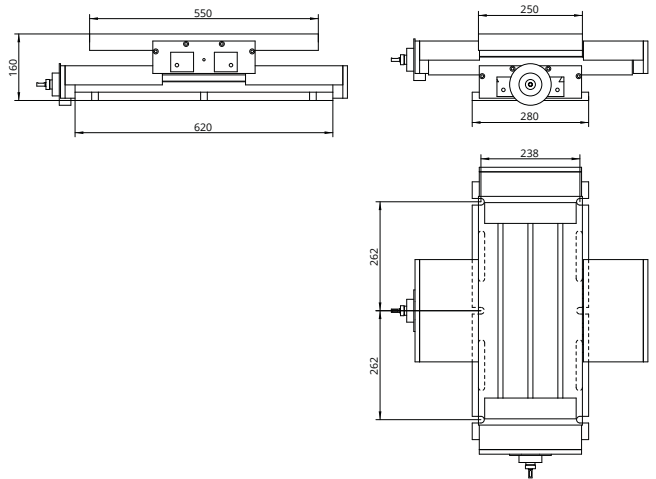
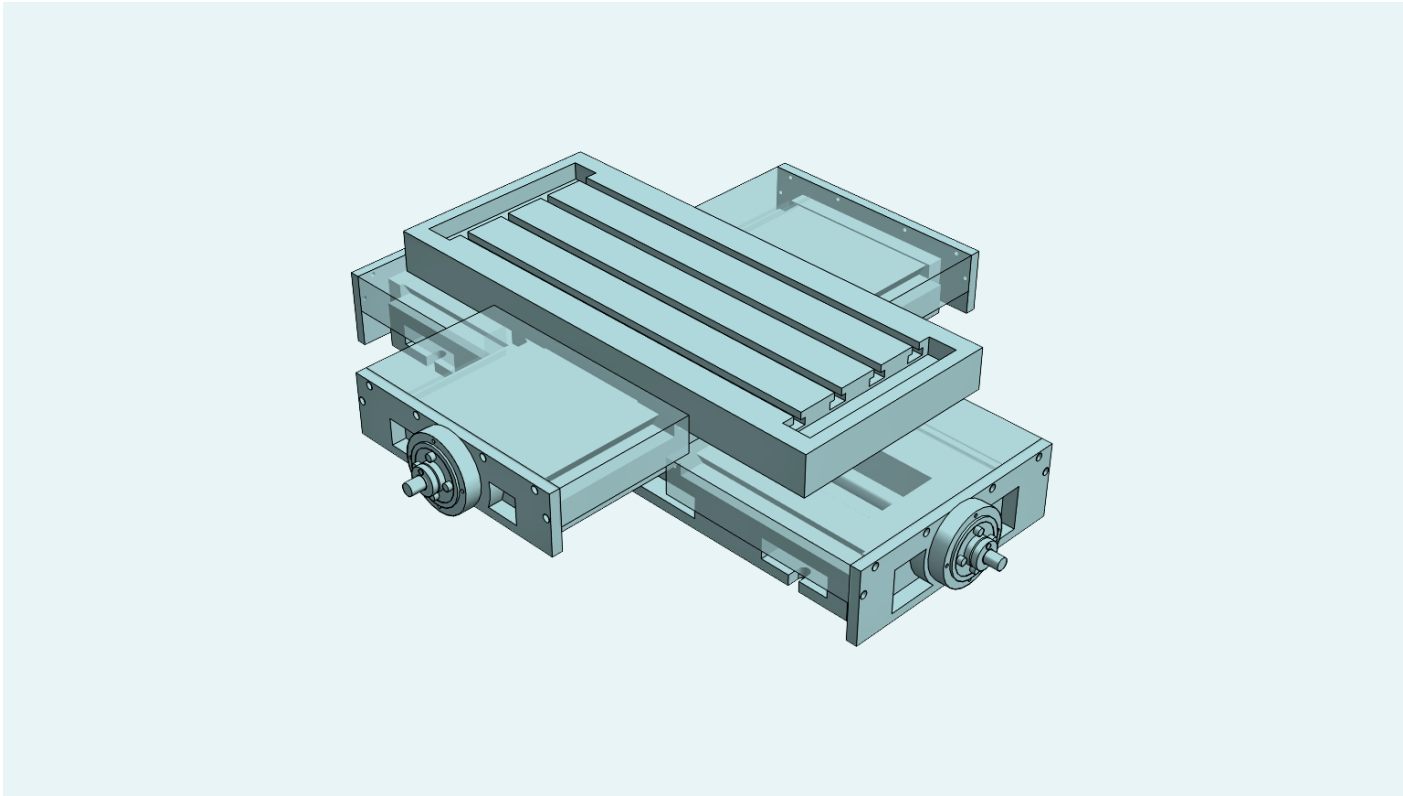


The design and construction enable great movement travel, with the very least overhang and great mechanical rigidity. The tracks are protected with bellows made of special material. These tables are equipped with ball screws, special bearings, adjustment nuts and Turcite guides or ball guides depending on the demand. The MN series is designed for carrying out drilling, milling, boring operations etc., and is extremely versatile in its applications. It has centralised lubrication and motor and CNC to customer specifications

**Automatic “Heavy” crosstable travelling 340x200**

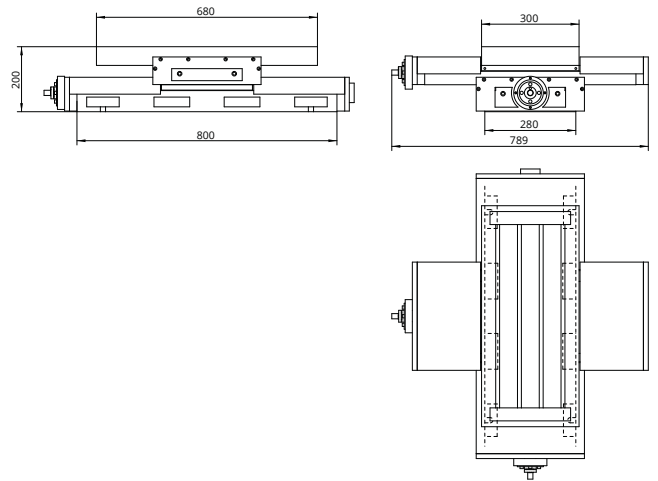


Technical Specifications	
X - Travel [mm]	340
Y - Travel [mm]	200
Tolerancia CNC [mm]	+/- 0,01
Max. weight [kg]	300
Max. work pres. [kg]	1000
Weight [kg]	98

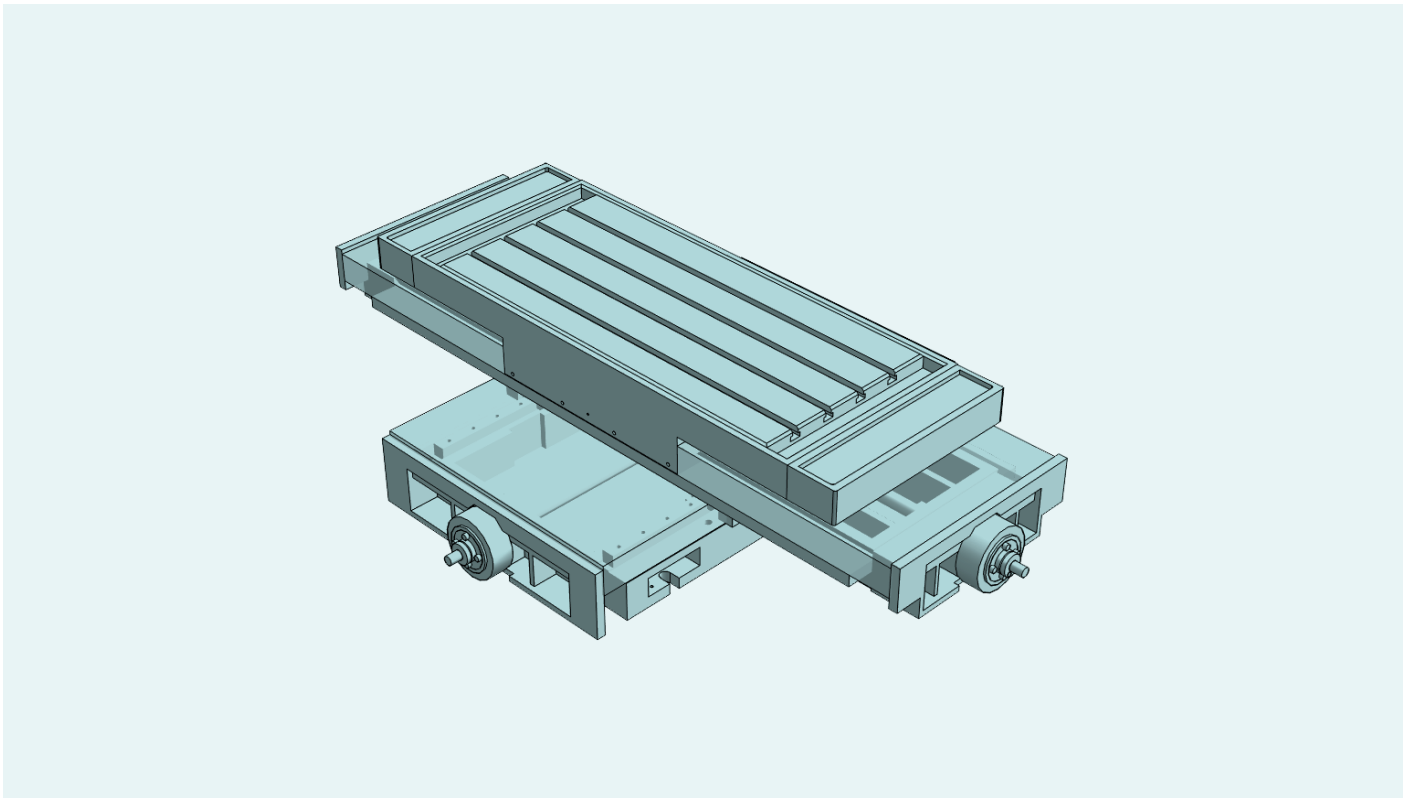


The design and construction enable great movement travel, with the very least overhang and great mechanical rigidity. The tracks are protected with bellows made of special material. These tables are equipped with ball screws, special bearings, adjustment nuts and Turcite guides or ball guides depending on the demand. The MN series is designed for carrying out drilling, milling, boring operations etc., and is extremely versatile in its applications. It has centralised lubrication and motor and CNC to customer specifications

**Automatic “Heavy” crosstable travelling 410x300**

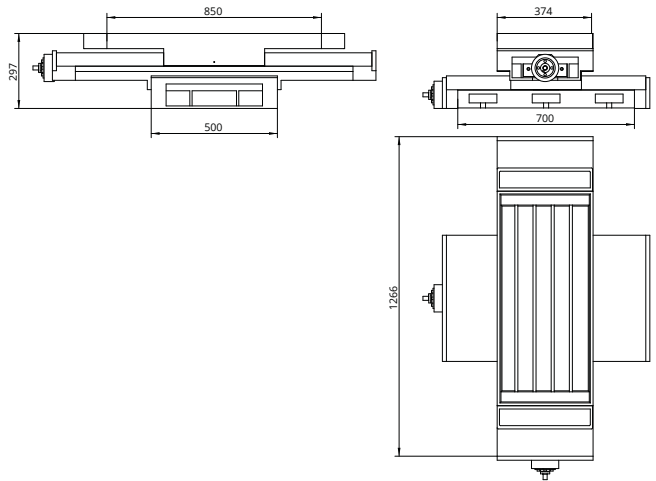


Technical Specifications	
X - Travel [mm]	410
Y - Travel [mm]	300
Tolerancia CNC [mm]	+/- 0,01
Max. weight [kg]	500
Max. work pres. [kg]	1500
Weight [kg]	197



The design and construction enable great movement travel, with the very least overhang and great mechanical rigidity. The tracks are protected with bellows made of special material. These tables are equipped with ball screws, special bearings, adjustment nuts and Turcite guides or ball guides depending on the demand. The MN series is designed for carrying out drilling, milling, boring operations etc., and is extremely versatile in its applications. It has centralised lubrication and motor and CNC to customer specifications

**Automatic “Heavy” crosstable travelling 700x400**



Technical Specifications	
X - Travel [mm]	700
Y - Travel [mm]	400
Tolerancia CNC [mm]	+/- 0,01
Max. weight [kg]	900
Max. work pres. [kg]	1750
Weight [kg]	357