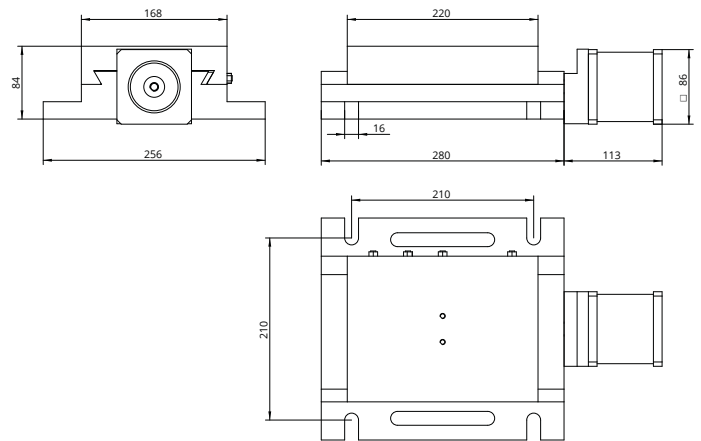
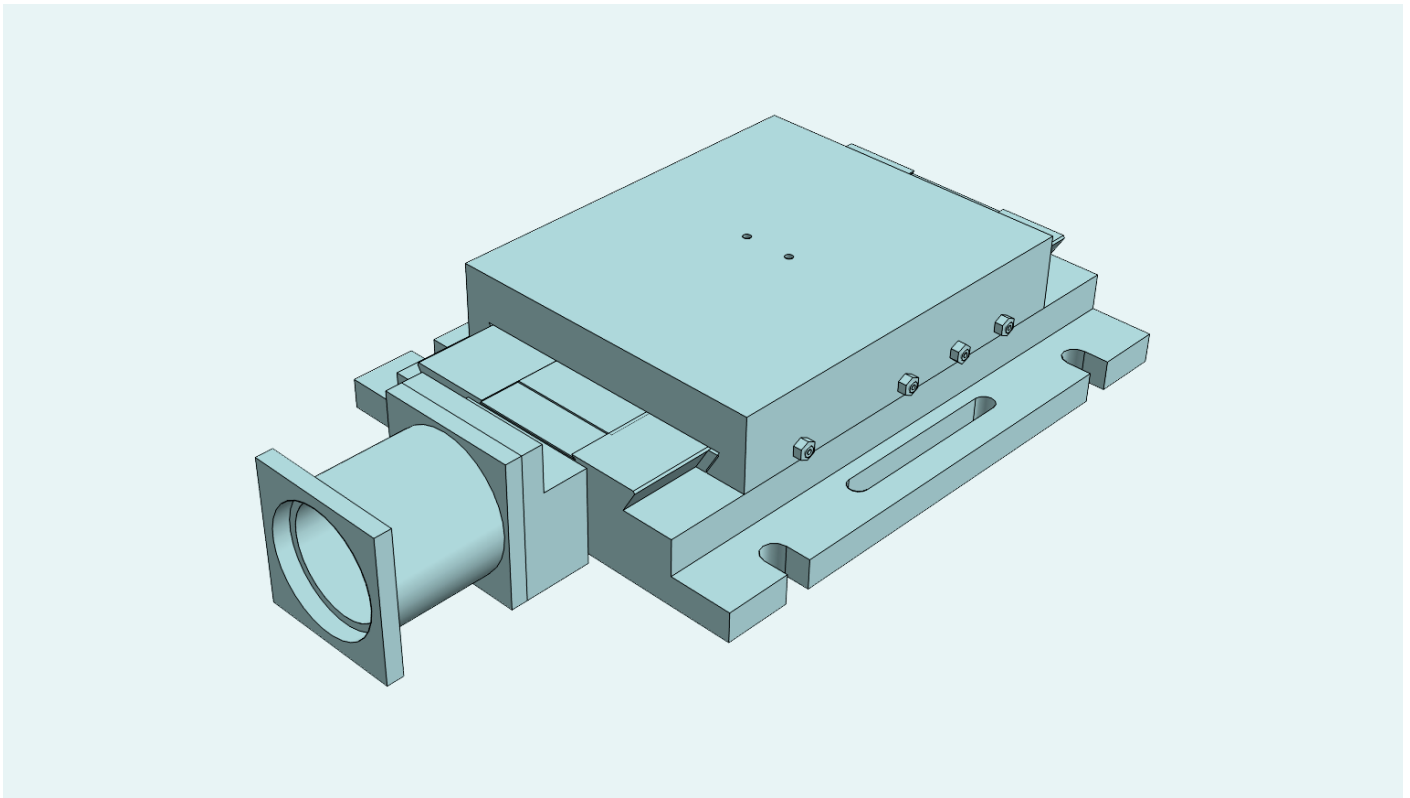


SINGLE axis table for applications with linear units.
 Can be used in horizontal or vertical position Any CNC available under request All elements in stabilized cast iron GG25. All surfaces with grinded finishment.
 Ballbearing spindles with double nut. Dovetailed guides with turcite. Any CNC available under request

Automatic slide table travelling 130

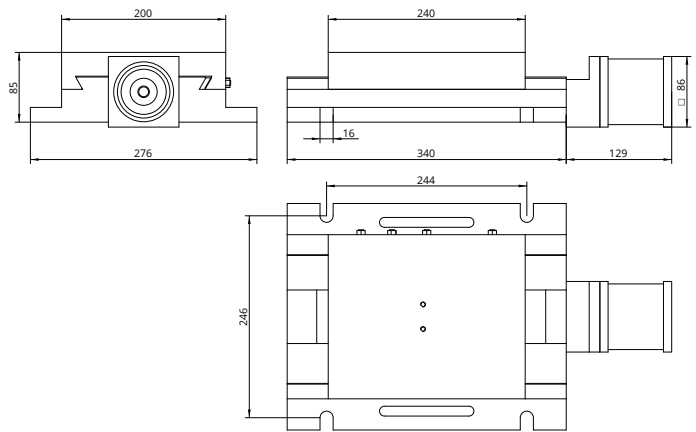


Technical Specifications	
X - Travel [mm]	130
Y - Travel [mm]	-
Tolerancia CNC [mm]	+/- 0,01
Max. weight [kg]	105
Max. work pres. [kg]	800
Weight [kg]	17

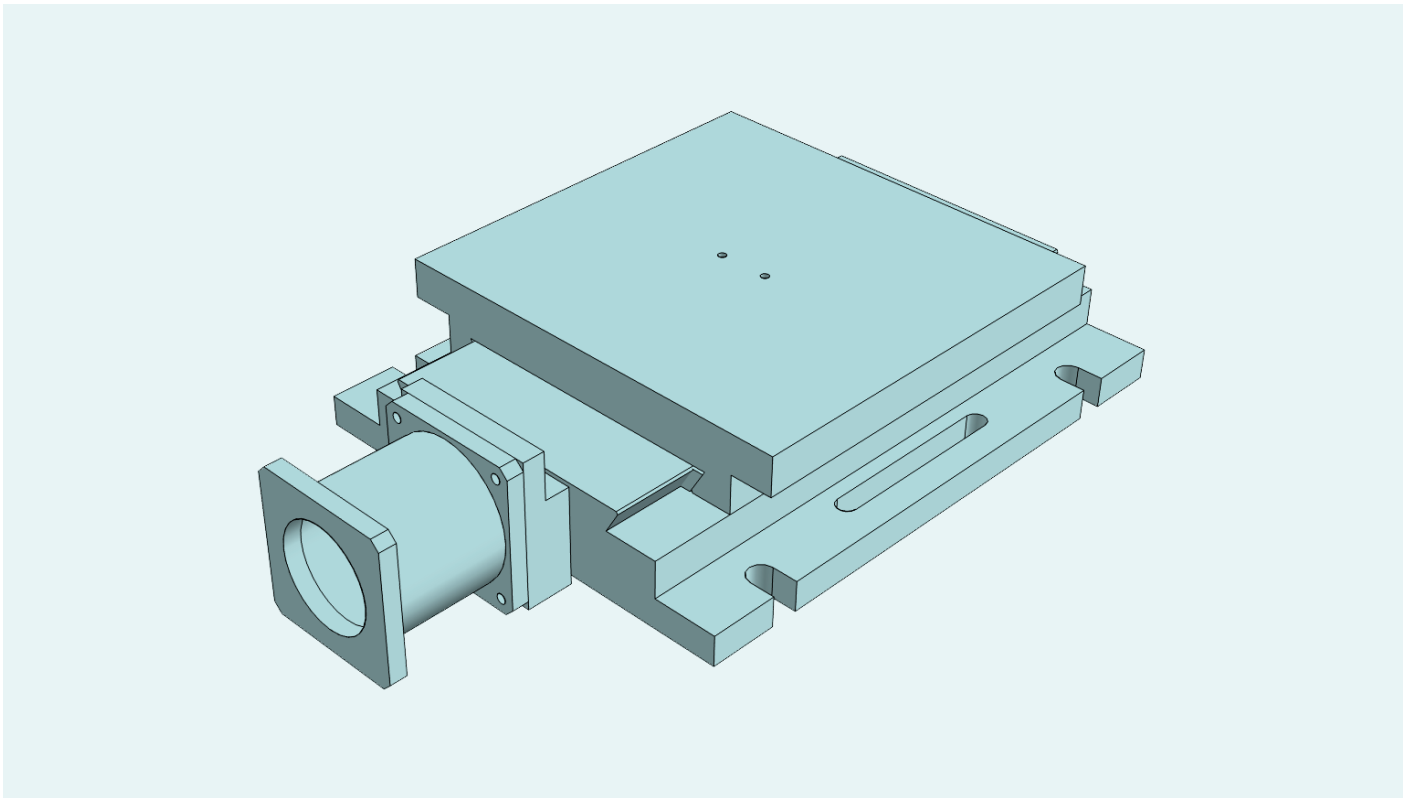


SINGLE axis table for applications with linear units.
 Can be used in horizontal or vertical position Any CNC available under request All elements in stabilized cast iron GG25. All surfaces with grinded finishment. Ballbearing spindles with double nut. Dovetailed guides with turcite. Any CNC available under request

Automatic slide table travelling 160

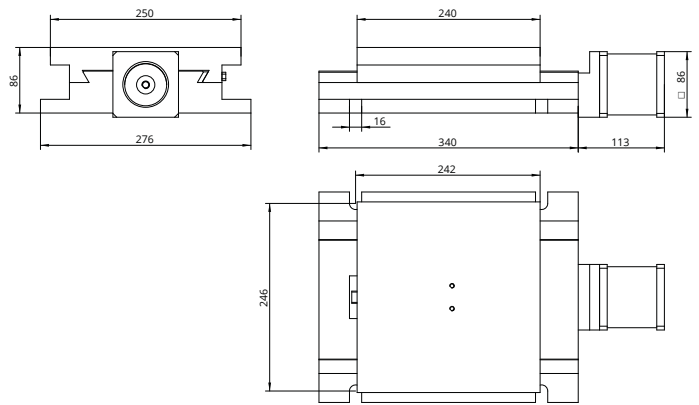


Technical Specifications	
X - Travel [mm]	160
Y - Travel [mm]	-
Tolerancia CNC [mm]	+/- 0,01
Max. weight [kg]	270
Max. work pres. [kg]	920
Weight [kg]	21

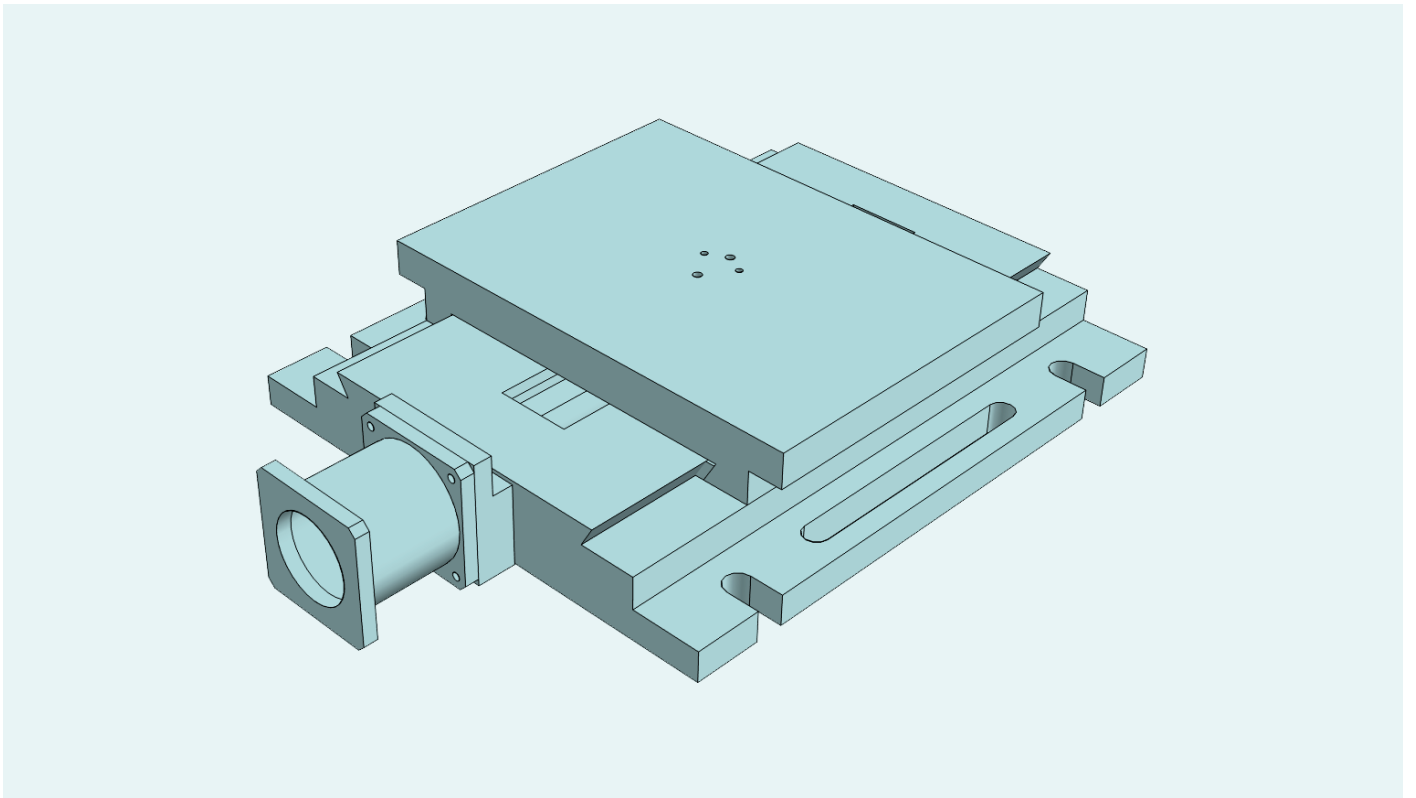


SINGLE axis table for applications with linear units.
 Can be used in horizontal or vertical position Any CNC available under request All elements in stabilized cast iron GG25. All surfaces with grinded finishment. Ballbearing spindles with double nut. Dovetailed guides with turcite. Any CNC available under request

Automatic slide table travelling 160

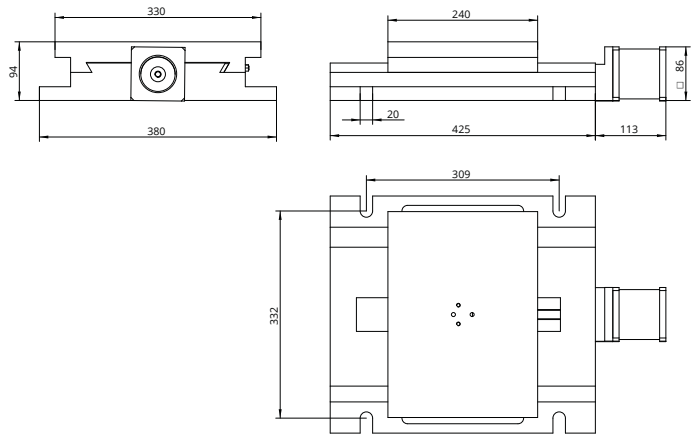


Technical Specifications	
X - Travel [mm]	160
Y - Travel [mm]	-
Tolerancia CNC [mm]	+/- 0,01
Max. weight [kg]	270
Max. work pres. [kg]	1000
Weight [kg]	26

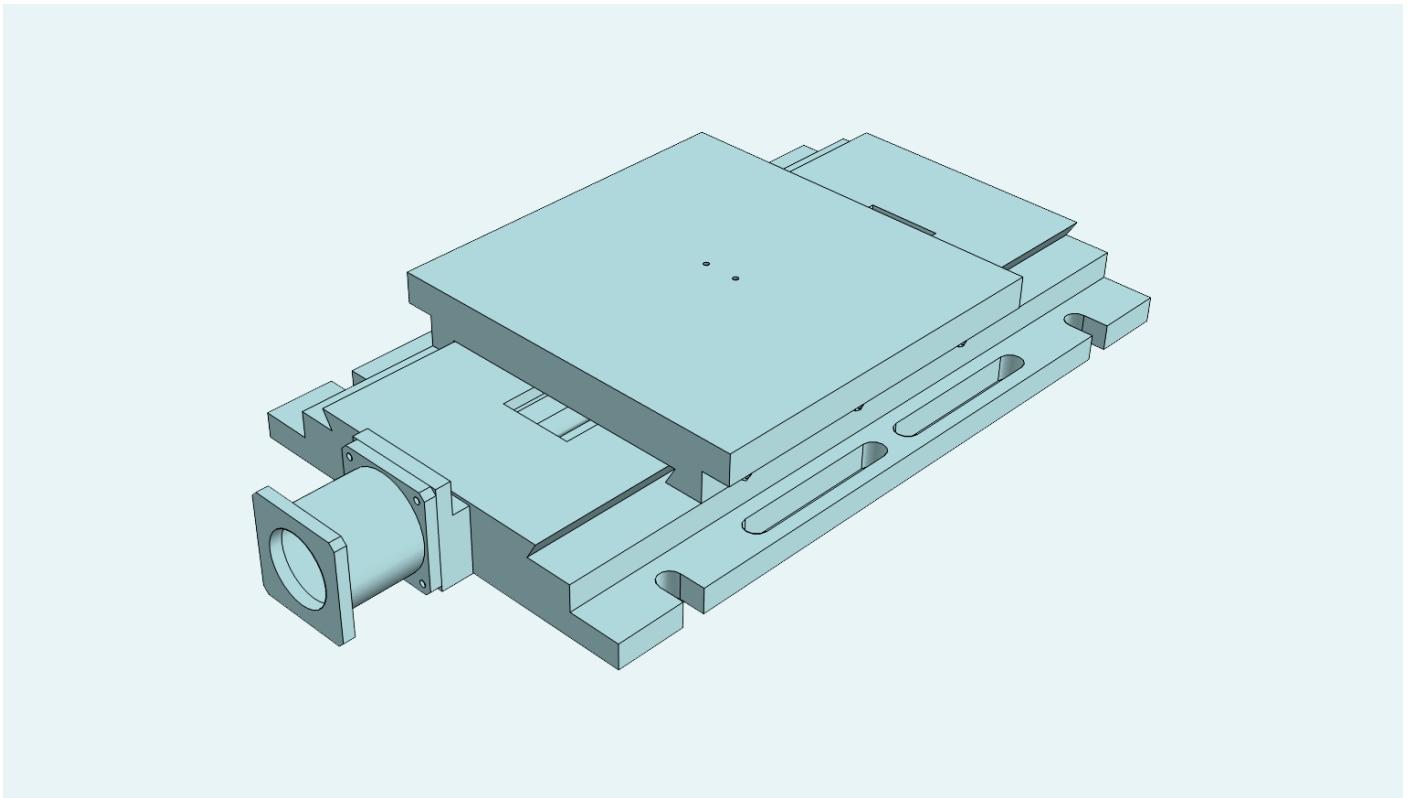


SINGLE axis table for applications with linear units.
 Can be used in horizontal or vertical position Any CNC available under request All elements in stabilized cast iron GG25. All surfaces with grinded finishment. Ballbearing spindles with double nut. Dovetailed guides with turcite. Any CNC available under request

Automatic slide table travelling 240

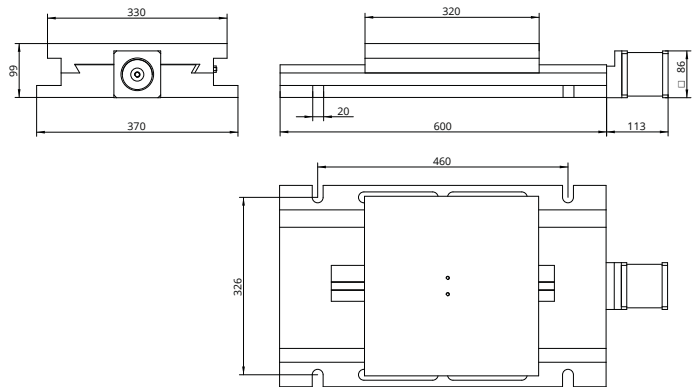


Technical Specifications	
X - Travel [mm]	240
Y - Travel [mm]	-
Tolerancia CNC [mm]	+/- 0,01
Max. weight [kg]	290
Max. work pres. [kg]	1250
Weight [kg]	41

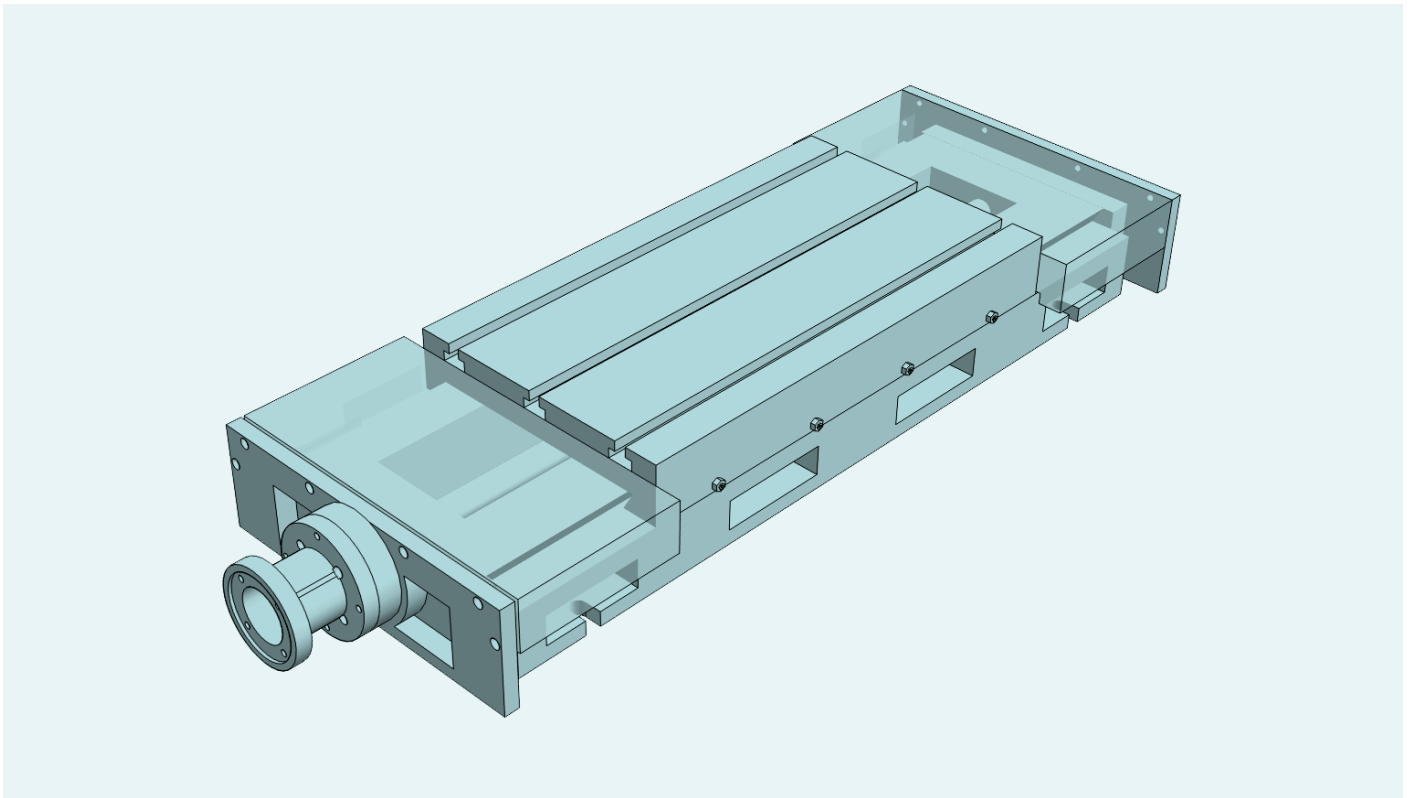


SINGLE axis table for applications with linear units.
 Can be used in horizontal or vertical position Any CNC available under request All elements in stabilized cast iron GG25. All surfaces with grinded finishment. Ballbearing spindles with double nut. Dovetailed guides with turcite. Any CNC available under request

Automatic slide table travelling 300

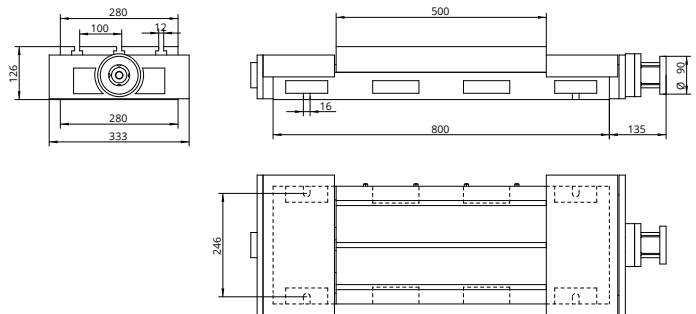


Technical Specifications	
X - Travel [mm]	300
Y - Travel [mm]	-
Tolerancia CNC [mm]	+/- 0,01
Max. weight [kg]	290
Max. work pres. [kg]	1300
Weight [kg]	58

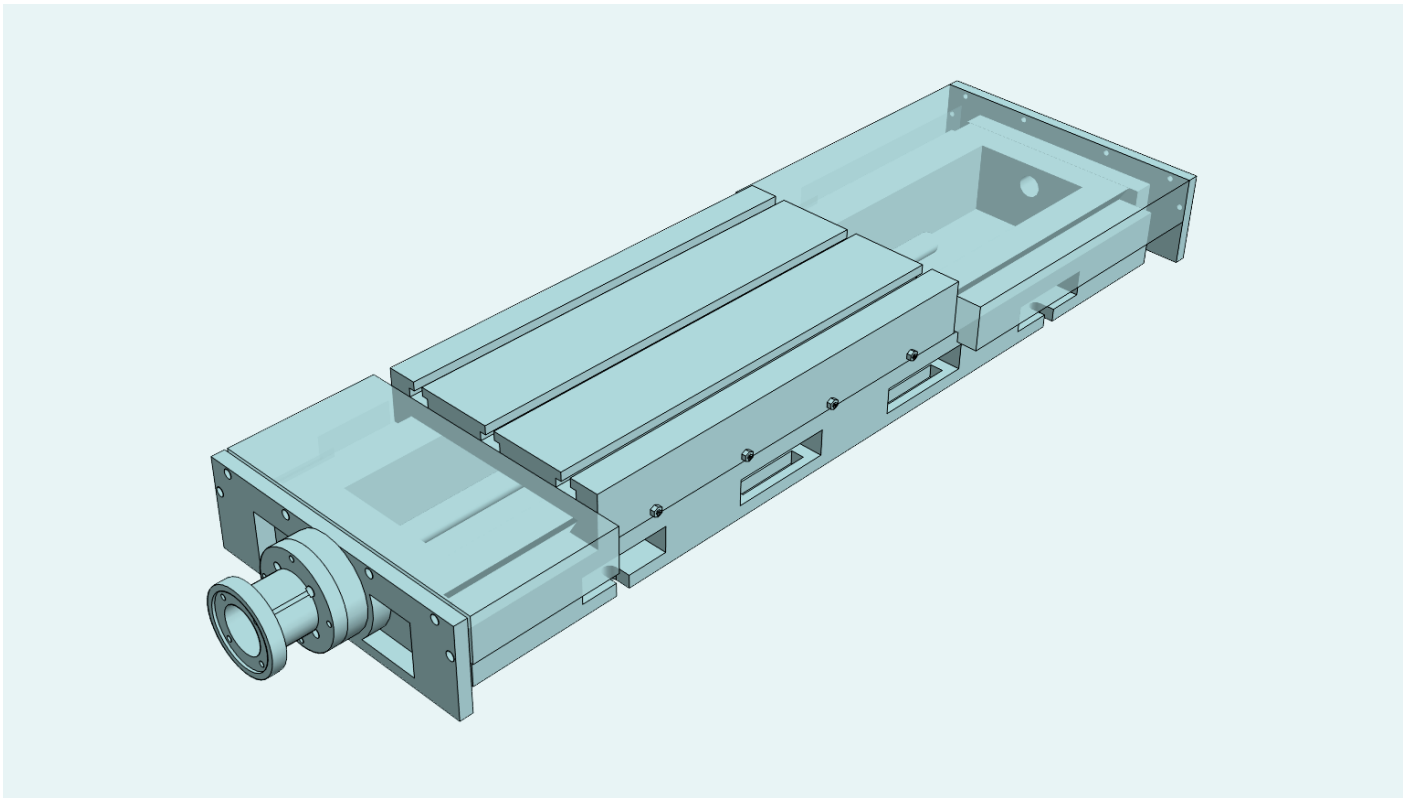


SINGLE axis table for applications with linear units.
 Can be used in horizontal or vertical position Any CNC available under request All elements in stabilized cast iron GG25. All surfaces with grinded finishment. Ballbearing spindles with double nut. Dovetailed guides with turcite. Any CNC available under request

Automatic slide table travelling 300

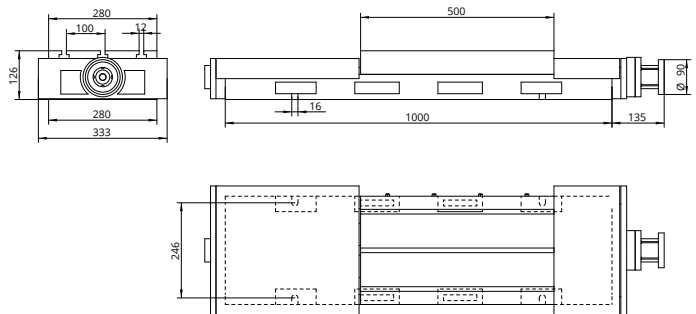


Technical Specifications	
X - Travel [mm]	300
Y - Travel [mm]	-
Tolerancia CNC [mm]	+/- 0,01
Max. weight [kg]	310
Max. work pres. [kg]	1500
Weight [kg]	82



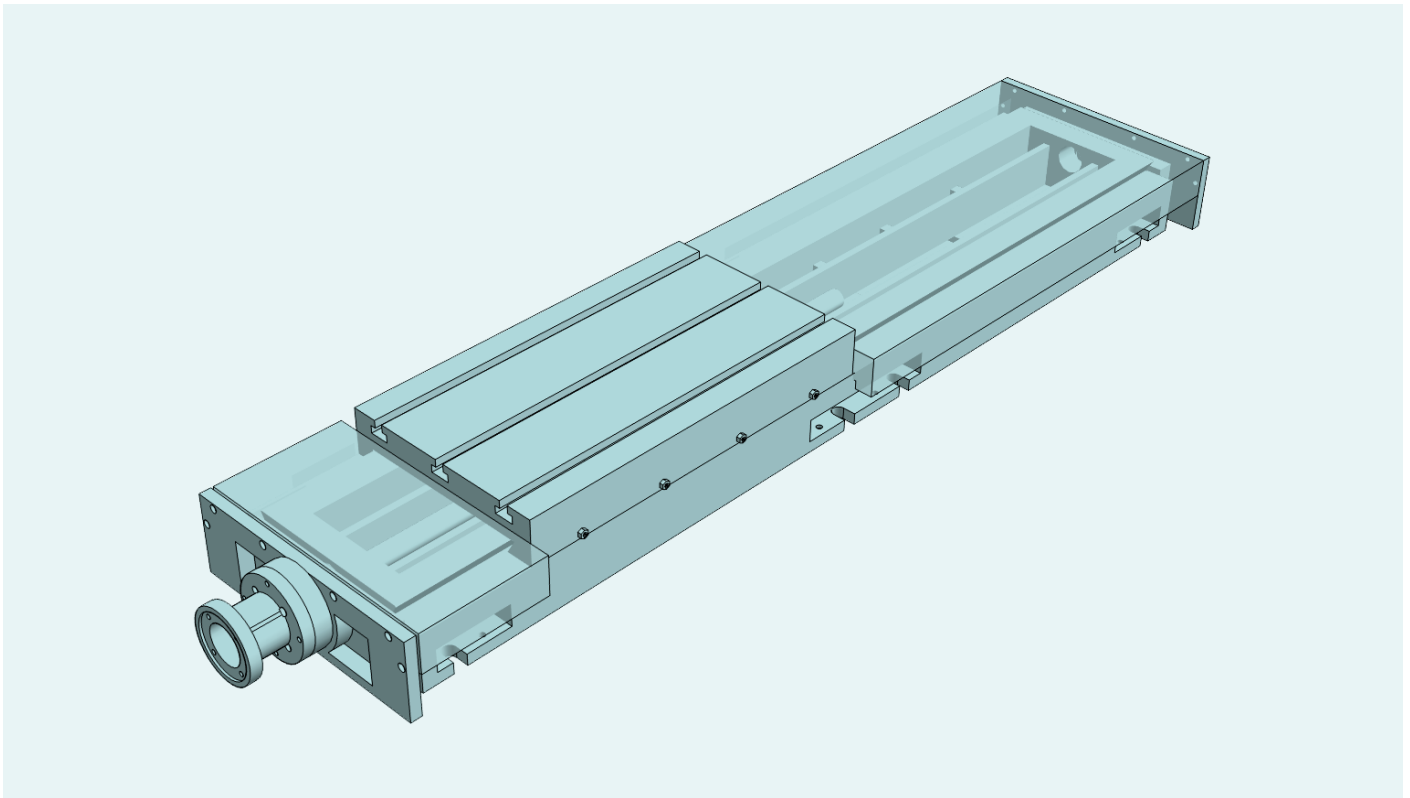
SINGLE axis table for applications with linear units.
 Can be used in horizontal or vertical position Any CNC available under request All elements in stabilized cast iron GG25. All surfaces with grinded finishment. Ballbearing spindles with double nut. Dovetailed guides with turcite. Any CNC available under request

Automatic slide table travelling 500



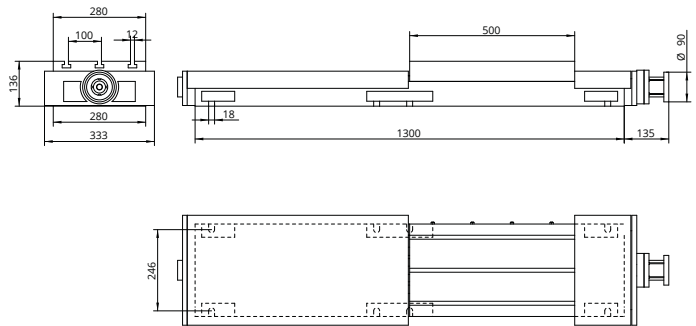
Technical Specifications

X - Travel [mm]	500
Y - Travel [mm]	-
Tolerancia CNC [mm]	+/- 0,01
Max. weight [kg]	315
Max. work pres. [kg]	1600
Weight [kg]	105



SINGLE axis table for applications with linear units.
 Can be used in horizontal or vertical position Any CNC available under request All elements in stabilized cast iron GG25. All surfaces with grinded finishment. Ballbearing spindles with double nut. Dovetailed guides with turcite. Any CNC available under request

Automatic slide table travelling 800



Technical Specifications	
X - Travel [mm]	800
Y - Travel [mm]	-
Tolerancia CNC [mm]	+/- 0,01
Max. weight [kg]	320
Max. work pres. [kg]	1600
Weight [kg]	130