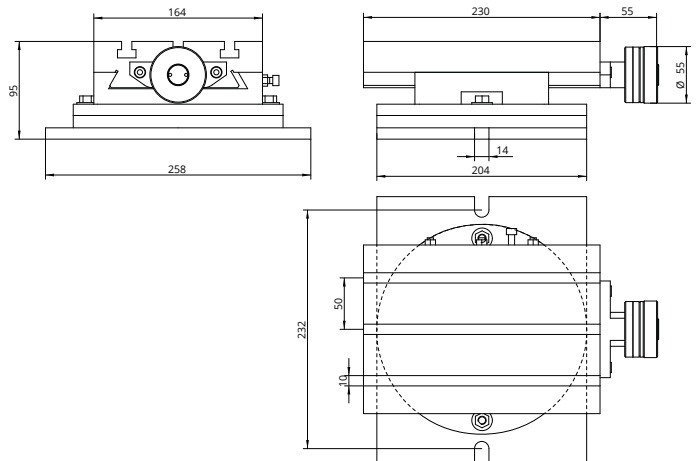
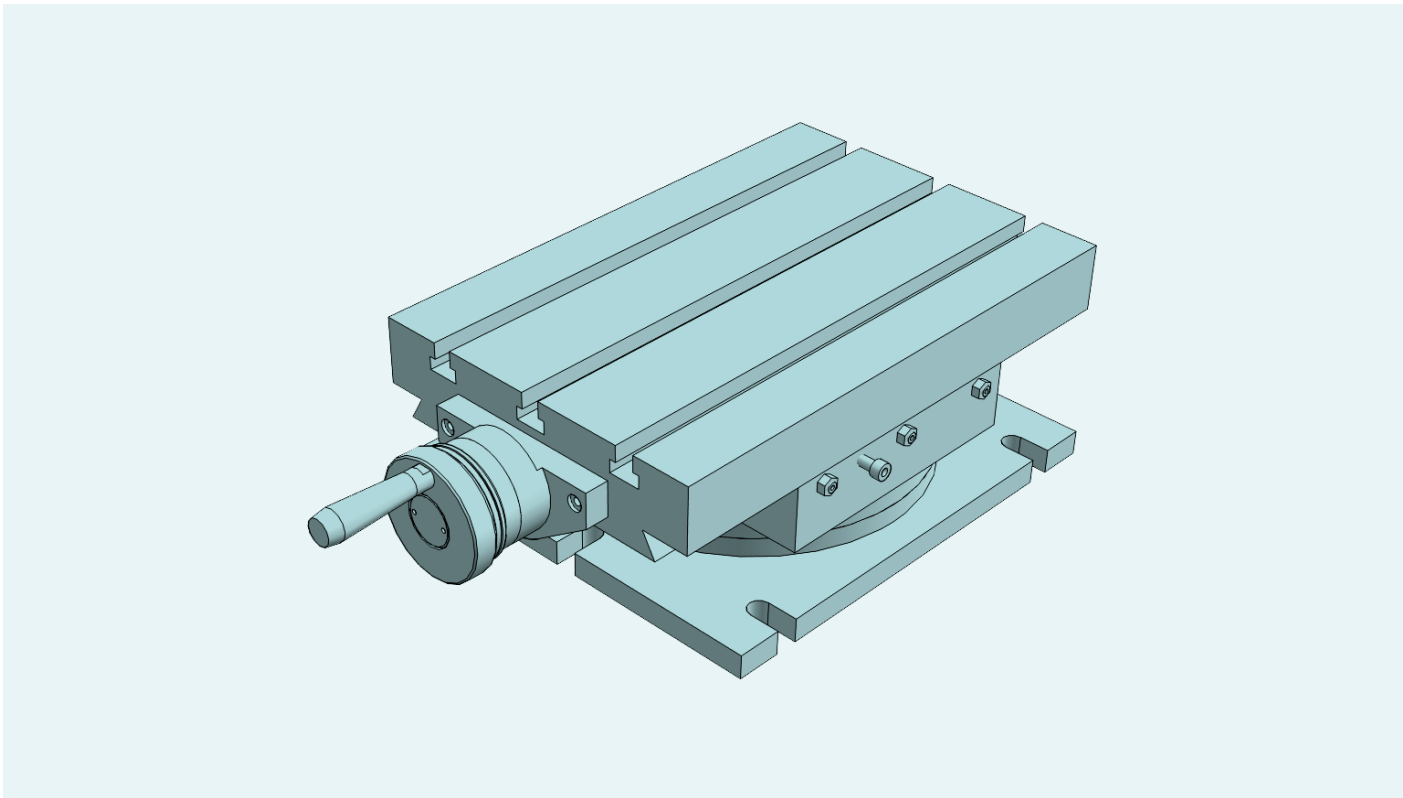


SINGLE axis table with rotary table (180°) for applications with linear units. Can be used in horizontal or vertical position All elements in stabilized cast iron GG25. All surfaces with grinded finishment. Millimetered rules in XY. Vernier/nonuis matt chrome. Dial, with zero setting. Spindle with trapezoidal thread. Adjustable spindle nut. Standard lock in XY (M6 screw to block the dovetailed guides in working position)

Rotary slide table travelling 100

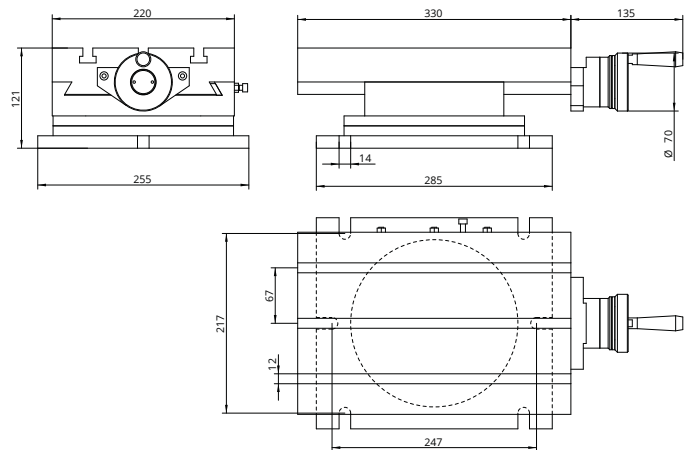


Technical Specifications	
X - Travel [mm]	100
Y - Travel [mm]	-
Resolution [mm]	0,05
Max. weight [kg]	56
Max. work pres. [kg]	400
Weight [kg]	24

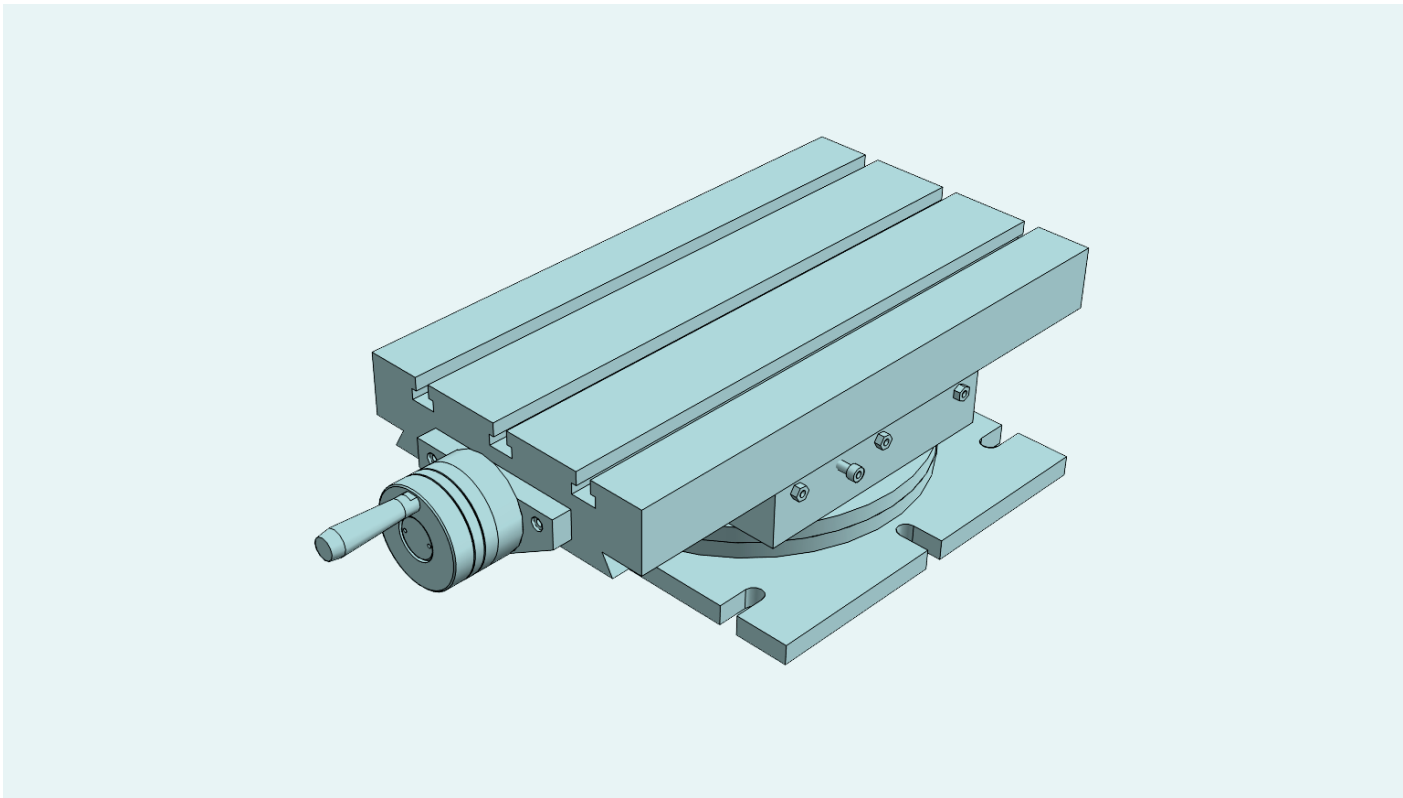


SINGLE axis table with rotary table (180°) for applications with linear units. Can be used in horizontal or vertical position All elements in stabilized cast iron GG25. All surfaces with grinded finishment. Millimetered rules in XY. Vernier/nonuis matt chrome. Dial, with zero setting. Spindle with trapezoidal thread. Adjustable spindle nut. Standard lock in XY (M6 screw to block the dovetailed guides in working position)

Rotary slide table travelling 162

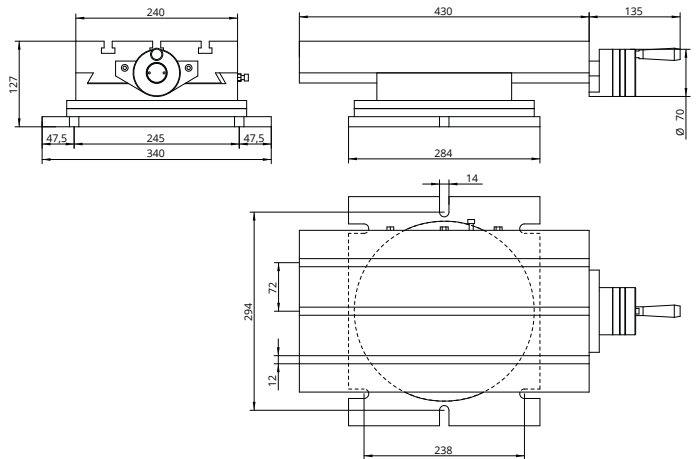


Technical Specifications	
X - Travel [mm]	162
Y - Travel [mm]	-
Resolution [mm]	0,05
Max. weight [kg]	100
Max. work pres. [kg]	500
Weight [kg]	41

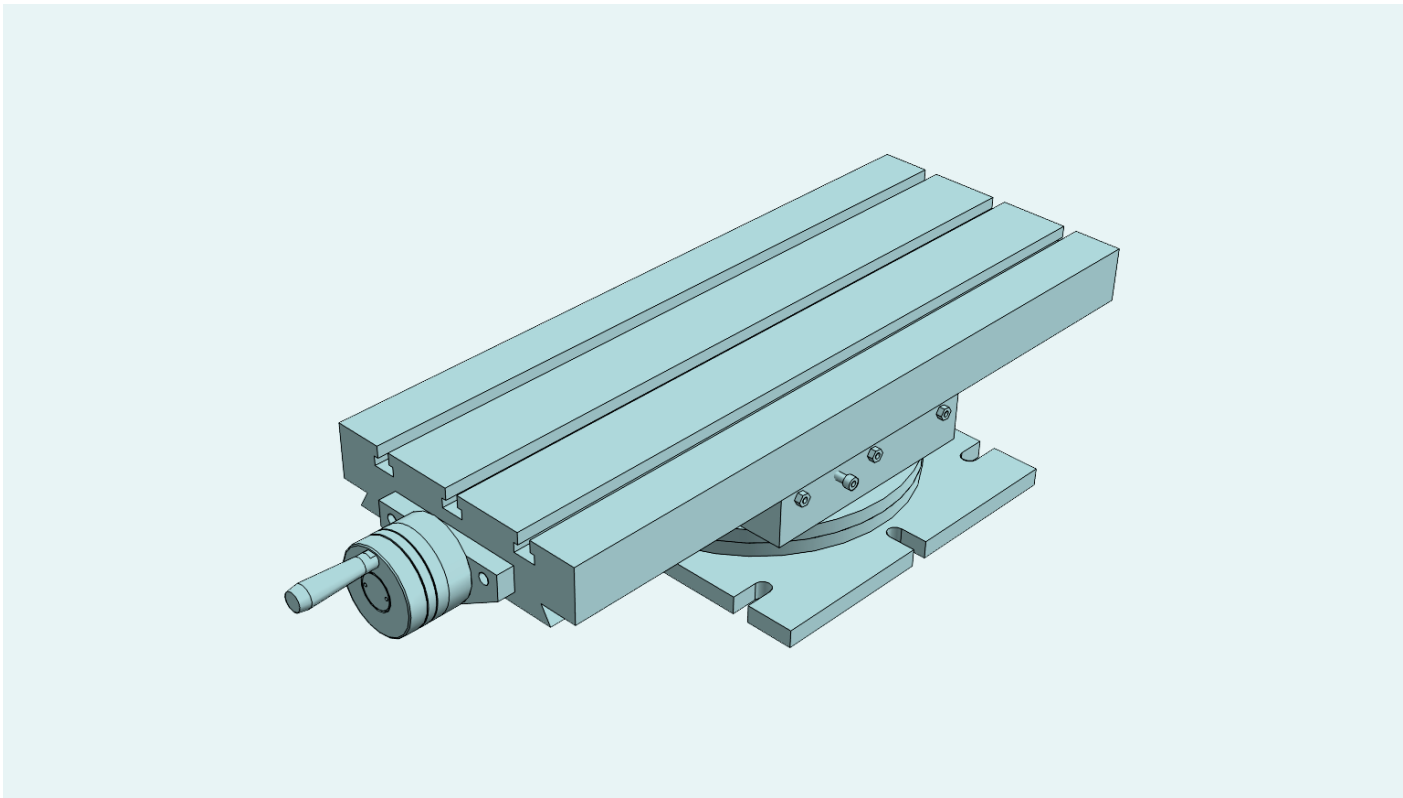


SINGLE axis table with rotary table (180°) for applications with linear units. Can be used in horizontal or vertical position All elements in stabilized cast iron GG25. All surfaces with grinded finishment. Millimetered rules in XY. Vernier/nonuis matt chrome. Dial, with zero setting. Spindle with trapezoidal thread. Adjustable spindle nut. Standard lock in XY (M6 screw to block the dovetailed guides in working position)

Rotary slide table travelling 250

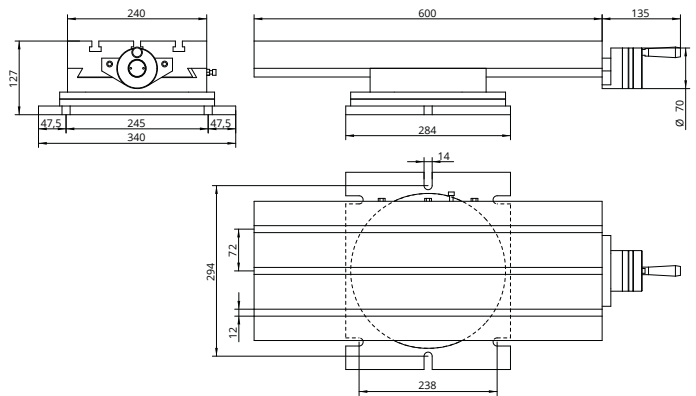


Technical Specifications	
X - Travel [mm]	250
Y - Travel [mm]	-
Resolution [mm]	0,05
Max. weight [kg]	180
Max. work pres. [kg]	700
Weight [kg]	49

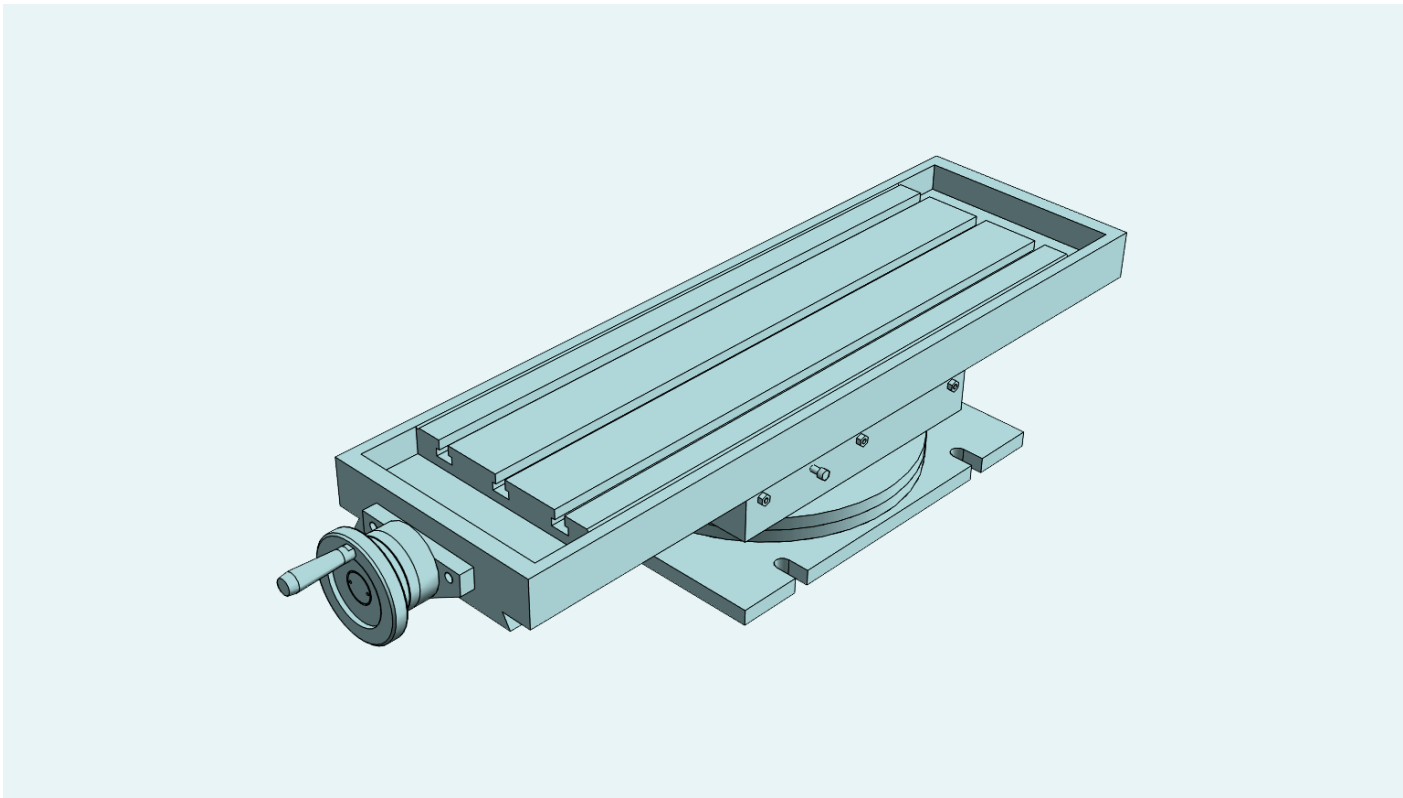


SINGLE axis table with rotary table (180°) for applications with linear units. Can be used in horizontal or vertical position. All elements in stabilized cast iron GG25. All surfaces with grinded finishment. Millimetered rules in XY. Vernier/nonuis matt chrome. Dial, with zero setting. Spindle with trapezoidal thread. Adjustable spindle nut. Standard lock in XY (M6 screw to block the dovetailed guides in working position)

Rotary slide table travelling 400

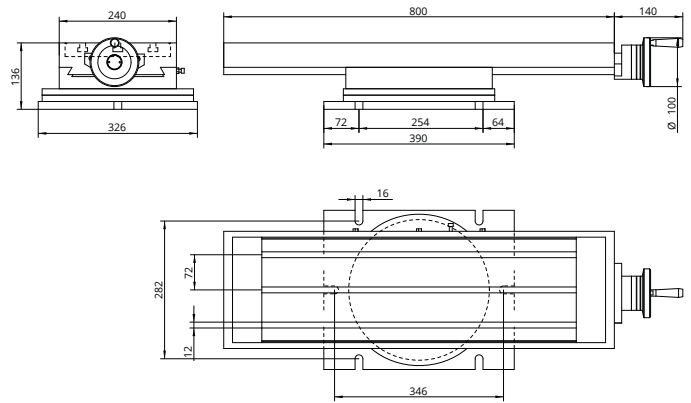


Technical Specifications	
X - Travel [mm]	400
Y - Travel [mm]	-
Resolution [mm]	0,05
Max. weight [kg]	180
Max. work pres. [kg]	700
Weight [kg]	63



SINGLE axis table with rotary table (180°) for applications with linear units. Can be used in horizontal or vertical position. All elements in stabilized cast iron GG25. All surfaces with grinded finishment. Millimetered rules in XY. Vernier/nonuis matt chrome. Dial, with zero setting. Spindle with trapezoidal thread. Adjustable spindle nut. Standard lock in XY (M6 screw to block the dovetailed guides in working position)

Rotary slide table travelling 500



Technical Specifications

X - Travel [mm]	500
Y - Travel [mm]	-
Resolution [mm]	0,05
Max. weight [kg]	220
Max. work pres. [kg]	900
Weight [kg]	132